

RED SKY
SERIOUSLY SAFE LIGHTS™

BLOCK SERIES X1

Technical Specification Sheet



PIONEERING INDUSTRIAL ILLUMINATION FOR HARSH & HAZARDOUS CONDITIONS

A leading manufacturer of premium LED lights for demanding work conditions

Headquartered in California, products assembled in the USA

Servicing global clients across 4 continents in metal processing, oil & gas, marine, manufacturing

Renowned for quality, dependability, client care and uncompromising safety standards



WHY CHOOSE RED SKY

❧ SERIOUSLY SAFE LIGHTS

- Rigorously tested in our professional labs
- Surpassing industry certifications and safety protocols
- Crafted with highest grade components for maximum durability

❧ TOP-NOTCH SERVICES

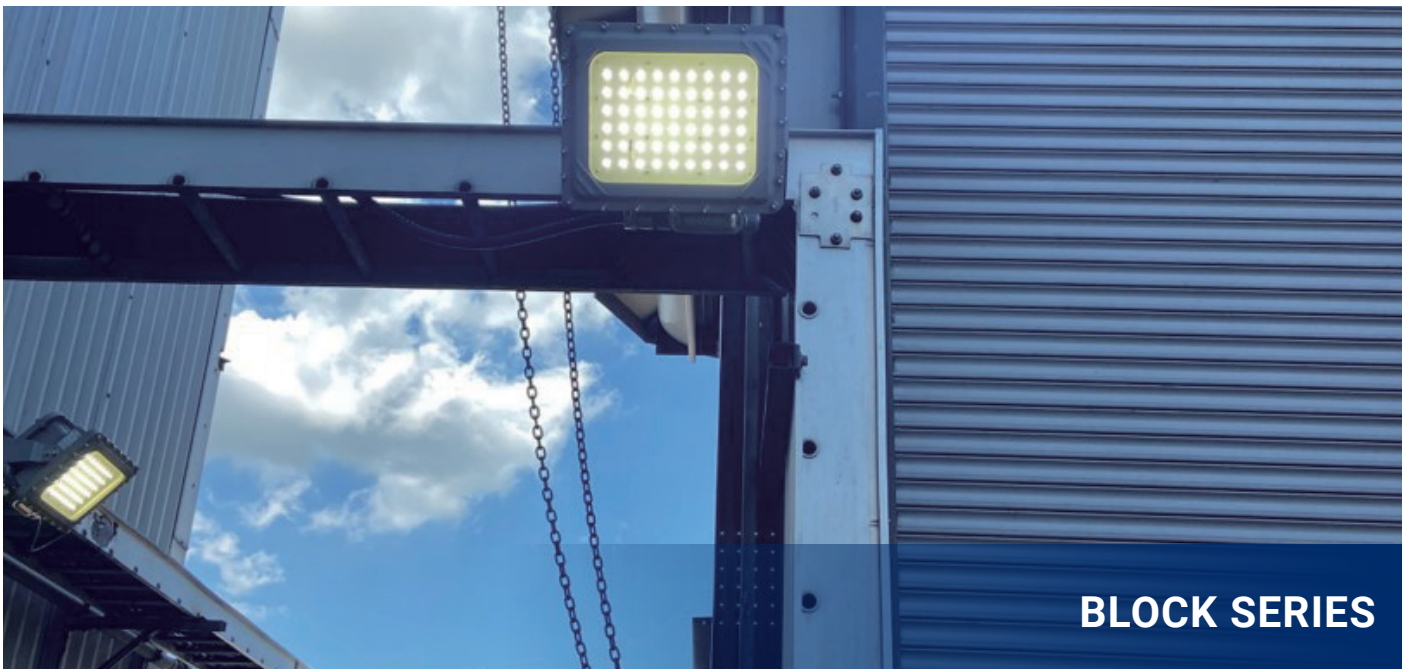
- Team of experts for seamless support
- Energy audit services, lighting simulation services
- Hassle-free return policy and management

❧ FAST DELIVERY

- Majority of orders delivered within 14 days
- Same day shipping for products in stock
- Real-time order tracking for full transparency

❧ SUSTAINABLE SOLUTIONS

- High luminous efficacy LEDs for energy savings
- Conscious product design
- Recyclable materials for products and packaging



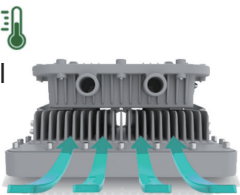
BLOCK SERIES

FEATURES



Excellent Heat Dissipation

Self-contained LED and Driver compartment with external air-flow fins provide exceptional heat dissipation to ensure long lifespan



Easy and Through Wiring

A quick-access WAGO 5-pole lever connector that allows for easy wire-in / wire-out connection. (0.5-4mm²)



RATINGS

Zone 1,21
Zone 2,22
IP66
IK08

CERTIFICATIONS

ATEX
II 2G Ex d IIB T5 Gb
II 2D Ex tb IIIC 95°C Max Db IP 66

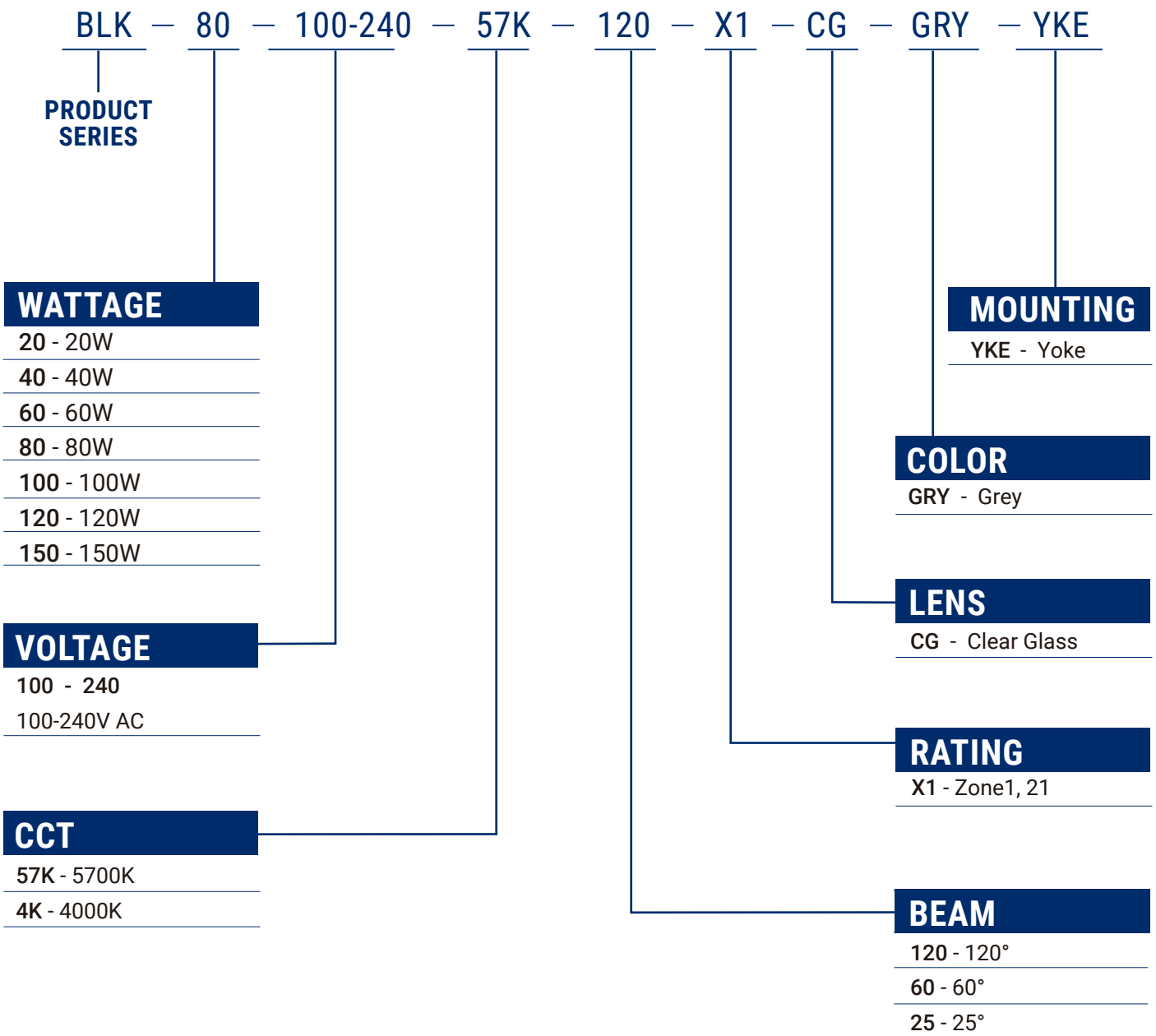
TECHNICAL PARAMETERS

Specification	BLK-X1-20	BLK-X1-40	BLK-X1-60	BLK-X1-80	BLK-X1-100	BLK-X1-120	BLK-X1-150
Electrical Parameters							
Power	20W	40W	60W	80W	100W	120W	150W
Voltage/Frequency	100-240V AC, 50/60Hz						
Power Factor	>90%						
THD	<20%						
L70	140,000 Hours@50°C						
Surge Protection	2KV			4KV			
Warranty	LEDs: 10 years, Driver: 5 years						
Optical Parameters							
Lumen Output*	2,399Lm	4,260Lm	5,944Lm	8,815Lm	10,733Lm	15,807Lm	18,863Lm
Lumen Efficacy*	120Lm/W			130Lm/W			
Available Beam Angle	25° / 60° / 120°						
Correlated Color Temperature (CCT)	4000K/5700K						
Color Rendering Index (CRI)	Ra>70						
Mechanical Parameters							
Finish	Thermoset Powdercoat						
Hardware	Stainless steel 316						
Lens Material	Clear Glass						
Mounting Options	Yoke, Stanchion						
Product Weight	10.1lbs/4.6kg			33.3lbs/15.1kg			
Cable Entry	(1) 3/4" NPT			(2) 3/4" NPT			
Product Dimensions(LxWxH)	9.6x8x5.6in (243x203x141 mm)			13.2x11x6.6in (336x279x168 mm)			
Environmental Parameters							
Ambient Operating Temperature	-30°C ~ +50°C						
T-Code Ratin	Gas – T5, Dust – 95°C						

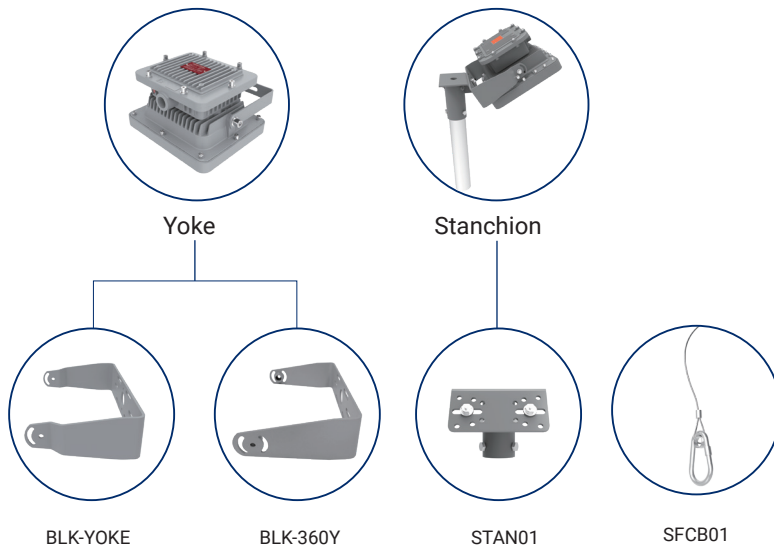
* Value calculated based on 5700K and clear glass ,varies to different spec.

ORDERING INFORMATION

EXAMPLE: BLK-80-100-240-57K-120-X1-CG-GRY-YKE



MOUNTING ACCESSORIES



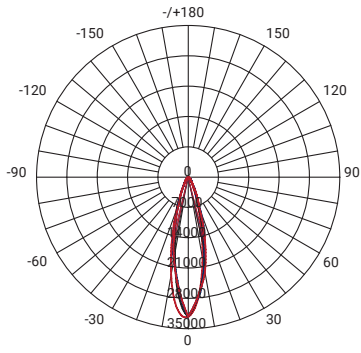
Mounting Method	PN	Description	MPN Code
Yoke	BLK-YOKE	Yoke Mount BLK SERIES, SS304. Power Coated Grey RAL7037	309050055
	BLK-360Y	360° rotation Yoke Mount. BLK SERIES. SS304. Power Coated Grey RAL7037	201010115
Stanchion	STAN01*	Slip-Fit Stanchion Mount Kit. BLK SERIES. SS304. Power Coated Grey RAL7037	309050300
	SFCB01	Safety Cable Kit, BLK & RDX SERIES, SS304	106060018

* Requires A Yoke Mount

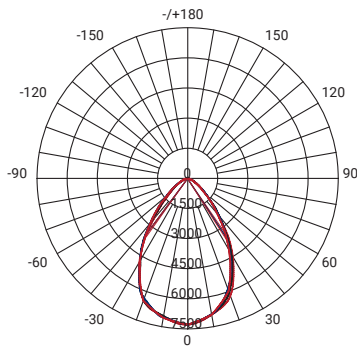
LUMEN TABLE

Part Number	Wattage (W)	CCT	Beam	Lens	Lumen Output (Lm)	Efficiency (Lm/W)
Voltage 100-240VAC						
BLK-20-100-240-57K-120-X1-CG-GRY-YKE	20	5700K	120°	Clear Glass	2,399	116
BLK-40-100-240-57K-120-X1-CG-GRY-YKE	40	5700K	120°	Clear Glass	4,260	106
BLK-60-100-240-57K-120-X1-CG-GRY-YKE	60	5700K	120°	Clear Glass	5,944	101
BLK-80-100-240-57K-120-X1-CG-GRY-YKE	80	5700K	120°	Clear Glass	8,815	110
BLK-100-100-240-57K-120-X1-CG-GRY-YKE	100	5700K	120°	Clear Glass	10,733	107
BLK-120-100-240-57K-120-X1-CG-GRY-YKE	120	5700K	120°	Clear Glass	15,807	128
BLK-150-100-240-57K-120-X1-CG-GRY-YKE	150	5700K	120°	Clear Glass	18,863	123

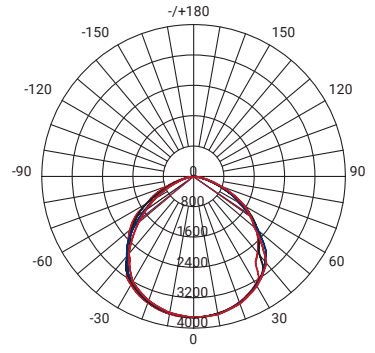
For additional information, please contact your sales representative.



25°



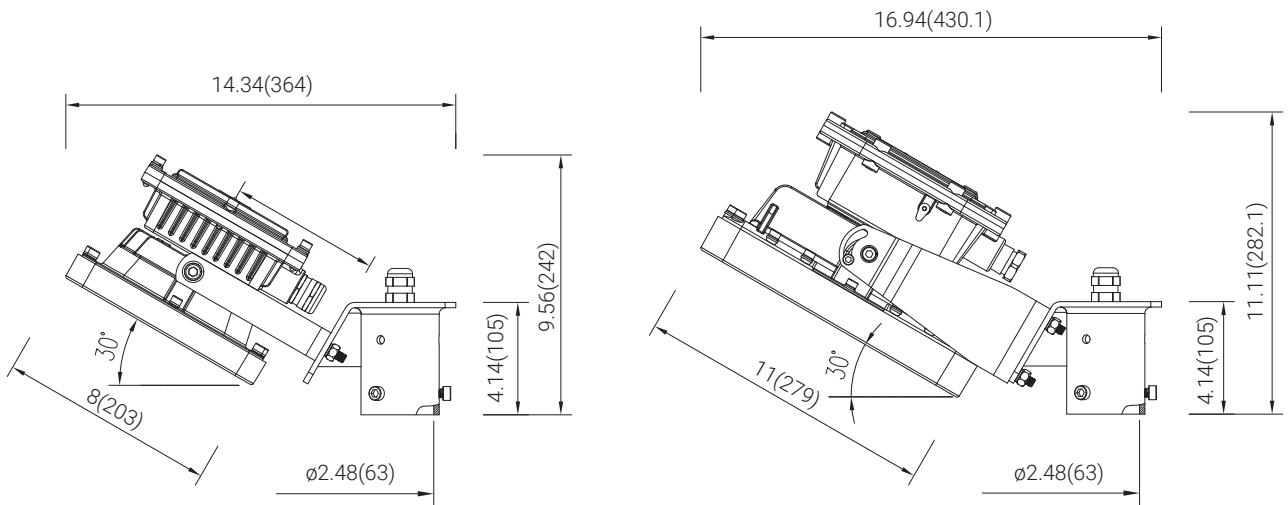
60°



120°

DIMENSIONS

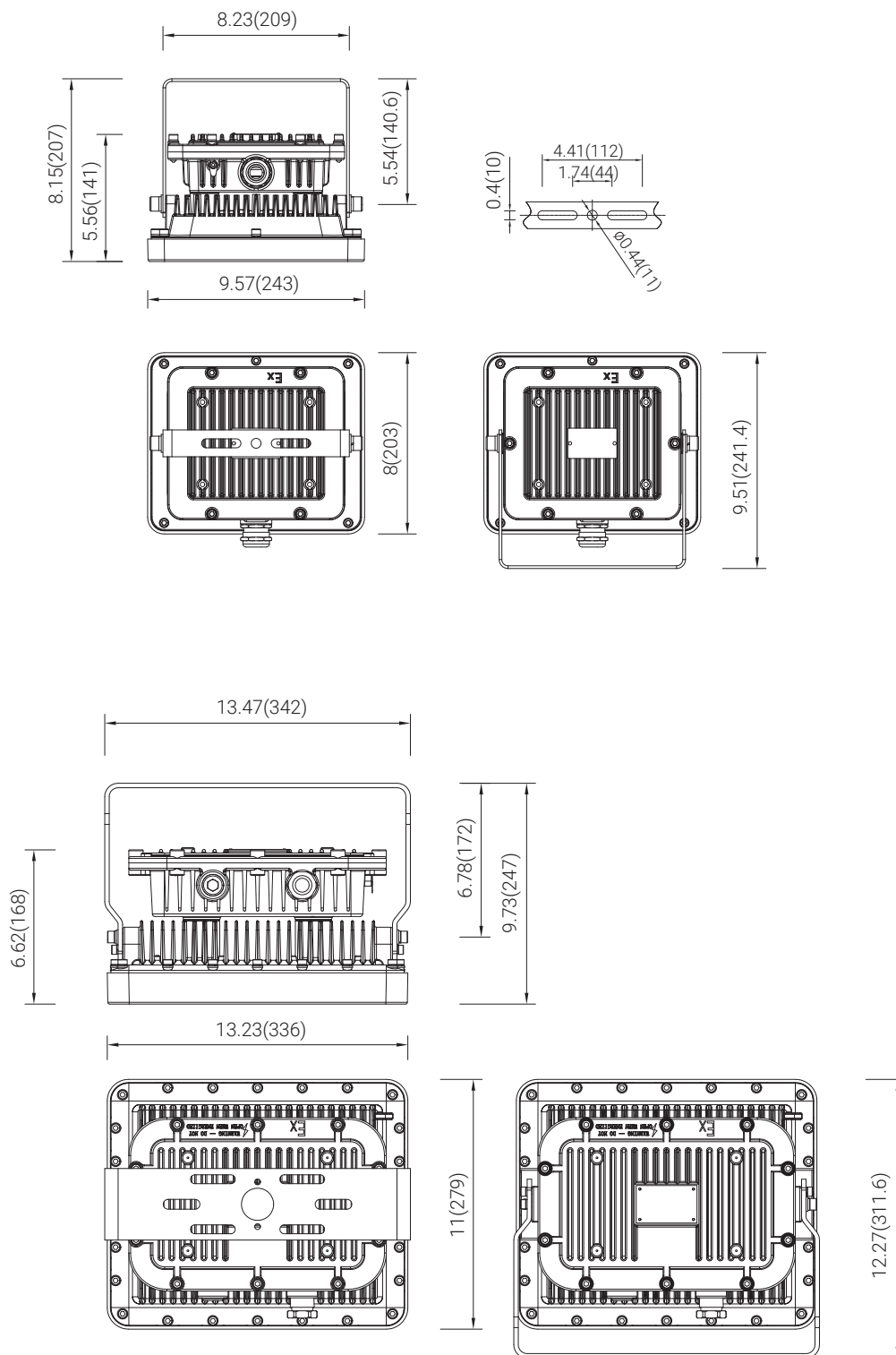
unit: in(mm)



Stanchion

DIMENSIONS

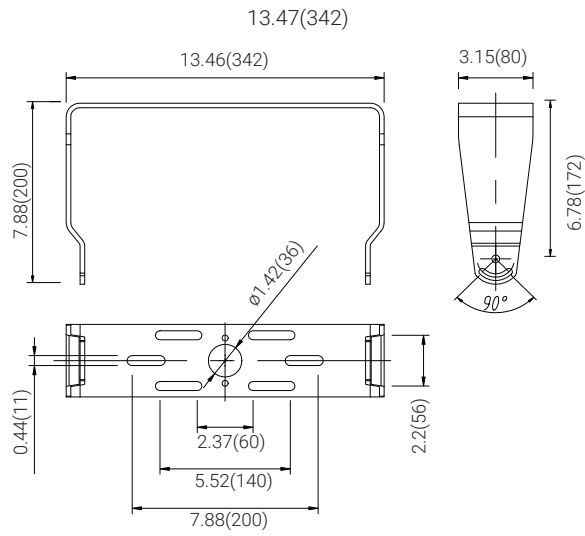
unit: in(mm)



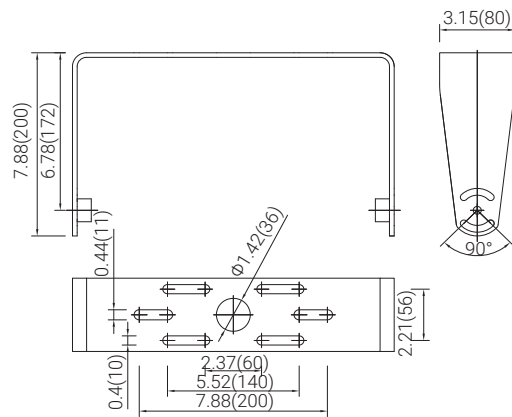
Yoke

DIMENSIONS

unit: in(mm)



BLK-YOKE



YOKE-360Y

HAZARDOUS LOCATION LIGHTING BASICS

Atmosphere Groups

Temperature Classification

Substance	Hazard Class	Division Groups	Zone Groups	Max. Surface Temperatures	NEC® 500 CEC®	NEC® 500/IEC-Group II
Acetylene	Class I Flammable Gases	Group A	IIC	450(842)	T1	T1
Hydrogen		Group B	IIC	300(572)	T2	
Ethylene		Group C	IIB	280(536)	T2A	T2
Propane		Group D	IIA	260(500)	T2B	
Methane		Group D	IIA ²	230(446)	T2C	
Combustible Metal Dusts	Class II Combustible Dusts	Group E ¹	IIIC ³	215(419)	T2D	T3
Combustible Carbonaceous Dust		Group F	IIIB ³	200(392)	T3	
Combustible Dusts not in Group E or F (Flour, Grain, Wood, Plastics, Chemicals)		Group G	IIIB ³	180(256)	T3A	
Combustible Fibers and Flyings		Class III Fibers and Flyings	Not Applicable	IIIA ³	165(329)	
				160(320)	T3C	T4
				135(275)	T4	
				120(248)	T4A	T4
				100(212)	T5	T5
				85(185)	T6	T6

Note 1: Group E is applicable to Class II, Division 1 only.
 Note 2: Methane is a Group IIA Gas for non-mining applications.
 Note 3: Group IIIA, IIIB and IIIC have not been adopted by the Canadian Electrical Code.

Classification of Divisions and Zones

Hazard Level	Division Scheme	Zone Scheme	Definitions
Continuous Hazard	Division 1	Zone 0 / Zone 20	A place in which an explosive atmosphere is continually present
Intermittent Hazard		Zone 1 / Zone 21	A place in which an explosive atmosphere is likely to occur in normal operation
Hazard Under Abnormal Conditions	Division 2	Zone 2 / Zone 22	A place in which an explosive atmosphere is not likely to occur in normal operation, but may occur for short periods

IP Codes

1st No.	Solid Objects
0	No protection
1	Objects greater than 50mm
2	Objects greater than 12.5mm
3	Objects greater than 2.5mm
4	Objects greater than 1mm
5	Dust protected
6	Dust proof
2nd No.	Liquids
0	No protection
1	Vertically dripping
2	Dripping up to 15°
3	Limited spraying
4	Splashing from all directions
5	Hosing jets from all directions
6	Strong hosing jets from all directions
7	Temporary immersion
8	Continuous immersion
9	Steam-jet cleaning

IK Ratings

IK Code	Level of Protection Achieved
IK00	Not protected
IK01	Protected against 0.14 joules impact
IK02	Protected against 0.2 joules impact
IK03	Protected against 0.35 joules impact
IK04	Protected against 0.5 joules impact
IK05	Protected against 0.7 joules impact
IK06	Protected against 1 joules impact
IK07	Protected against 2 joules impact
IK08	Protected against 5 joules impact
IK09	Protected against 10 joules impact
IK10	Protected against 20 joules impact



1(262) 456-5002
contact@redskylighting.com
www.redskylighting.com

RED SKY LIGHTING LLC
9370 Pittsburgh Ave Rancho
Cucamonga, CA 91730, USA

Disclaimer

The product information provided is, to the best of Red Sky Lighting's knowledge, accurate as of the date of publication. However, purchasers and end-users of Red Sky Lighting's products should refer to the documentation available on www.redskylighting.com for the most up-to-date and controlling product specifications, installation manuals, sales terms and conditions, and warranty terms. To the extent any contract is formed for the sale of Red Sky Lighting's products, whether directly with Red Sky Lighting or through any third party, the versions of such documentation posted on www.redskylighting.com as of the date of sale shall govern and prevail over any inconsistent information that may be provided elsewhere. In the event of a conflict between the information contained in this document and that available on www.redskylighting.com, the website documentation shall control.