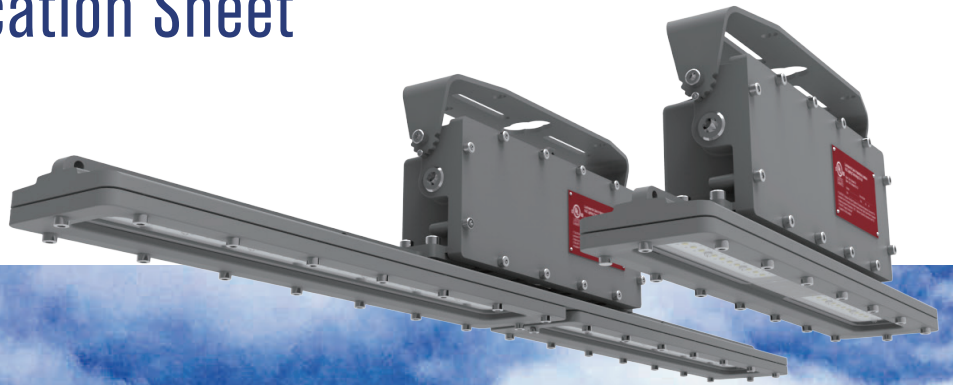


**RED SKY**  
SERIOUSLY SAFE LIGHTS™

# LINEAR TUFF SERIES

Technical Specification Sheet



## ABOUT RED SKY LIGHTING

# PIONEERING INDUSTRIAL ILLUMINATION FOR HARSH & HAZARDOUS CONDITIONS

- A leading manufacturer of premium LED lights for demanding work conditions
- Headquartered in California, products assembled in the USA
- Servicing global clients across 4 continents in metal processing, oil & gas, marine, manufacturing
- Renowned for quality, dependability, client care and uncompromising safety standards



## WHY CHOOSE RED SKY

### ❧ SERIOUSLY SAFE LIGHTS

- Rigorously tested in our professional labs
- Surpassing industry certifications and safety protocols
- Crafted with highest grade components for maximum durability

### ❧ TOP-NOTCH SERVICES

- Team of experts for seamless support
- Energy audit services, lighting simulation services
- Hassle-free return policy and management

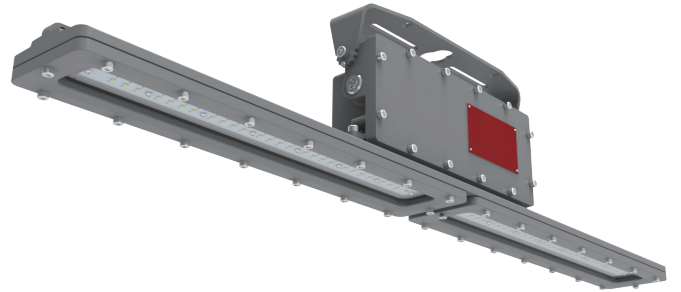
### ❧ FAST DELIVERY

- Majority of orders delivered within 14 days
- Same day shipping for products in stock
- Real-time order tracking for full transparency

### ❧ SUSTAINABLE SOLUTIONS

- High luminous efficacy LEDs for energy savings
- Conscious product design
- Recyclable materials for products and packaging

# LINEAR TUFF SERIES



The Linear Tuff Series from Red Sky Lighting is a versatile linear LED fixture designed to withstand the most demanding industrial environments. Available in durable 2-foot and 4-foot lengths, it offers high luminous efficacy of up to 150 lumens per watt along with a new retrofit bracket for improved compatibility.

Built with a rugged copper-free aluminum body and frame, the Linear Tuff can handle extreme temperatures from -40°F (-40°C) to +140°F (60°C) along with vibration, water, and dust. Its optimized heat sink and thermal management system ensures safe and reliable heat dissipation for a long operational life, even in hazardous locations classified as Class 1 Division 1.

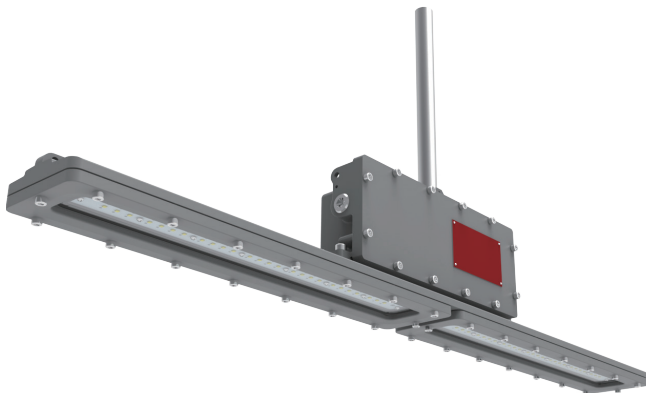
Requiring no maintenance, the Linear Tuff is ideal for low profile lighting applications in petrochemical facilities, oil rigs, mines, and other industrial sites. It offers an extended lifetime of over 147,000 hours at high ambient temperatures of 140°F (60°C). Energy efficient and durable, this LED fixture provides bright, economical illumination for use in the most unforgiving industrial environments. Backed by Red Sky Lighting's industry-leading 10-year warranty, the Linear Tuff Series provides exceptional performance, advanced safety, and unmatched durability for hazardous industrial environments.





**LINEAR TUFF SERIES**  
MASSACHUSETTS, USA

## FEATURES



### ▮ Rugged Construction

Heat sink designed to perform in high ambient temperatures up to +144°F and as low as -40°F.  
Built to withstand extreme temperatures, vibration, water and dust.  
Copper-free aluminum body and frame for corrosion resistant

### ▮ Thermal Management

Safe and reliable heat transfer - Offering a T-rating of T6 (CID1)

### ▮ Long Fixture Life

L70 >147,000 Hours@149°F  
Maintenance-free and safe operation

## RATINGS

|                                       |                              |
|---------------------------------------|------------------------------|
| Class I Division 1, Groups C, D       | UL 1598A Marine Outside Type |
| Class I Division 2, Groups A, B, C, D | (Salt Water)                 |
| Class I, Zone 1, Group IIB            | IP66                         |
| UL 1598 Wet Locations                 | IK07                         |

## CERTIFICATIONS

UL844  
UL1598  
UL1598A  
CSA C22.2 NO. 250.0:21, 5th Ed  
CSA C22.2 No. 137, Edition: 2  
DLC (Pending)

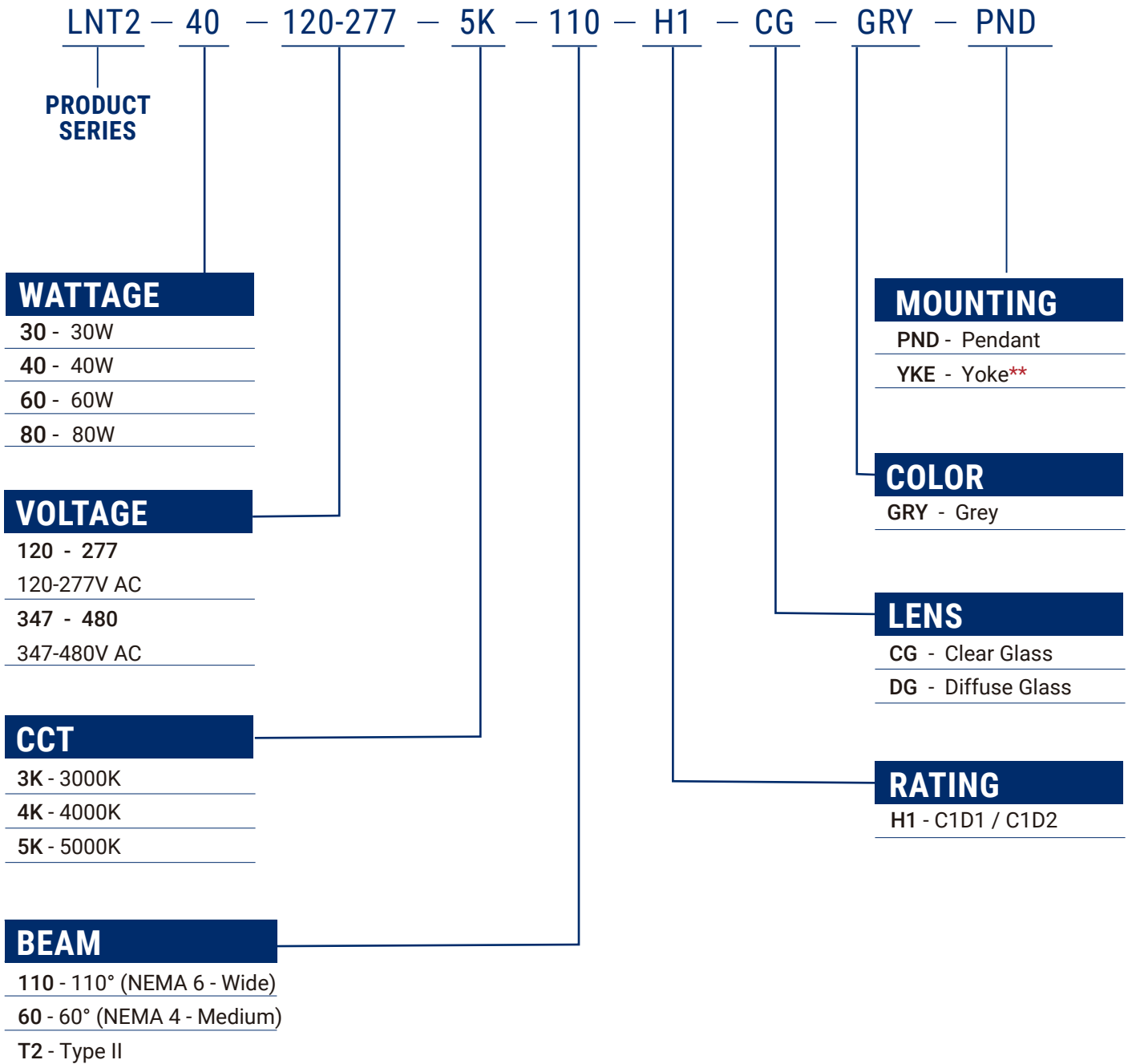
# TECHNICAL PARAMETERS

| Specification                      | LNT2-30                          | LNT2-40 | LNT2-60                         | LNT2-80  |
|------------------------------------|----------------------------------|---------|---------------------------------|----------|
| <b>Electrical Parameters</b>       |                                  |         |                                 |          |
| Power                              | 30W                              | 40W     | 60W                             | 80W      |
| Voltage/Frequency                  | 120-277V AC, 347-480V AC 50/60Hz |         |                                 |          |
| Power Factor                       | ≥90%                             |         |                                 |          |
| THD                                | <20%                             |         |                                 |          |
| L70                                | 147,000 Hours@149°F              |         |                                 |          |
| Dimming                            | 0-10V                            |         |                                 |          |
| Surge Protection                   | 10KV                             |         |                                 |          |
| Warranty                           | LEDs: 10 years, Driver: 7 years  |         |                                 |          |
| <b>Optical Parameters</b>          |                                  |         |                                 |          |
| Lumen Output*                      | 4,608Lm                          | 6,192Lm | 8,670Lm                         | 10,810Lm |
| Lumen Efficacy*                    | 150Lm/w                          |         |                                 |          |
| Available Beam Angle               | 60° /110° /T2                    |         |                                 |          |
| Correlated Color Temperature (CCT) | 3000K/4000K/5000K                |         |                                 |          |
| Color Rendering Index (CRI)        | Ra>70                            |         |                                 |          |
| <b>Mechanical Parameters</b>       |                                  |         |                                 |          |
| Finish                             | Thermoset Powdercoat             |         |                                 |          |
| Hardware                           | Stainless steel 316              |         |                                 |          |
| Lens Material                      | Glass                            |         |                                 |          |
| Mounting Options                   | Pendant, Yoke, Chain, Pole       |         |                                 |          |
| Product Weight                     | 16.3lbs/7.4kg                    |         | 23.8lbs/10.8kg                  |          |
| Cable Entry                        | (3) 3/4" NPT                     |         |                                 |          |
| Product Dimensions(L×W×H)          | 21.4×4.3×7.3in(544×108×185mm)    |         | 43.3×4.3×7.3in(1100×108×185 mm) |          |
| <b>Environmental Parameters</b>    |                                  |         |                                 |          |
| Ambient Operating Temperature      | -40°F ~ 140°F (-40°C ~ 60°C)     |         |                                 |          |
| T-Code Rating                      | C1D1 - T6, C1D2 - T4A            |         |                                 |          |

\* Value calculated based on 5000K and Clear glass ,varies to different spec.

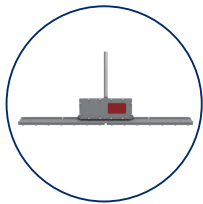
# ORDERING INFORMATION

**EXAMPLE:** LNT2-40-120-277-5K-110-H1-CG-GRY-PND

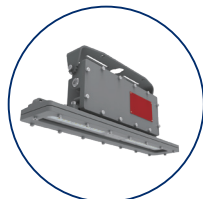


\*\* LNT-YOKE Pre-installed as standard

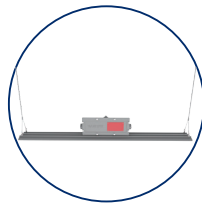
# MOUNTING ACCESSORIES



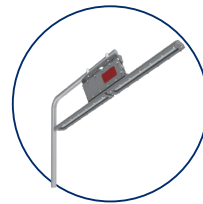
Pendant



Yoke



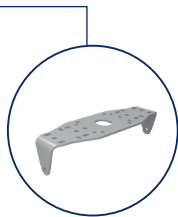
Chain



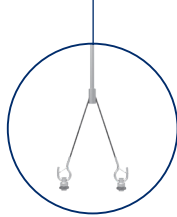
Pole



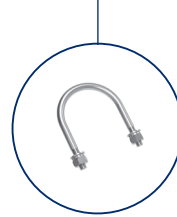
LNT-YOKE



LNT-YOKE P



CHAIN01



CLAMP01/02

| Mounting Method | PN          | Description   | MPN Code  |
|-----------------|-------------|---|-----------|
| Yoke            | LNT-YOKE    | Yoke Mount, LNT SERIES, SS304, Power Coated Grey RAL7037          | 309050067 |
|                 | LNT-YOKE P* | Retrofit Yoke Mount, LNT SERIES, SS304, Power Coated Grey RAL7037 | 309050333 |
| Chain           | CHAIN01     | Chain Hang Kit, LNR&LNT SERIES, SS304                             | 309050071 |
| Pole            | CLAMP01     | Pipe Clamp Kit for Round pole $\Phi$ 1 7/8(48mm), SS304           | 309050047 |
|                 | CLAMP02     | Pipe Clamp Kit for Round pole $\Phi$ 2 3/8(60mm), SS304           | 309050046 |

## \* Retrofit Bracket Compatibility Chart

For customers trying to retrofit an existing fixture, use the table below as a guide to select the best bracket to suit your need

| Manufacturer     | Part Number | Retrofit Yoke |
|------------------|-------------|---------------|
| Crouse Hinds     | DP057MTK    | ✓             |
| Dialight         | LTXW4       | ✓             |
|                  | LTXW4LP     | ✓             |
| AZZ™ Rig-A-Lite™ | 53050       | ✓             |
| Appleton         | RMLSB       | ✓             |

# OTHER ACCESSORIES



SFCB02

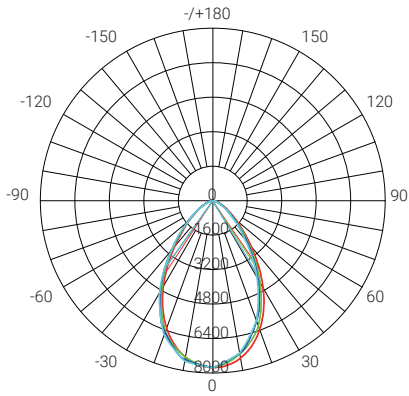
| PN     | Description   | MPN Code  |
|--------|---|-----------|
| SFCB02 | Safety Cable Kit, RND &BLM&LNT&LNT EM SERIES, SS304 | 309050058 |

# LUMEN TABLE

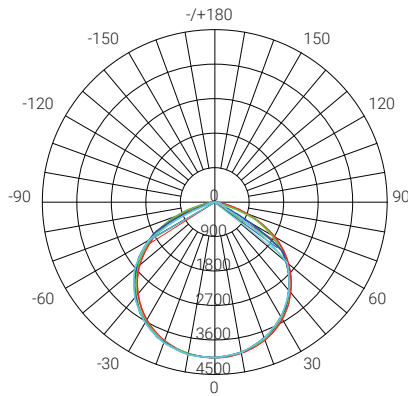
| PN                                   | Wattage (W) | CCT   | Beam | Lens          | Lumen Output (Lm) | Efficiency (Lm/W) |
|--------------------------------------|-------------|-------|------|---------------|-------------------|-------------------|
| <b>Voltage 120-277V AC</b>           |             |       |      |               |                   |                   |
| LNT2-30-120-277-5K-110-H1-CG-GRY-YKE | 30          | 5000K | 110  | Clear Glass   | 4,608             | 144               |
| LNT2-30-120-277-5K-110-H1-DG-GRY-YKE | 30          | 5000K | 110  | Diffuse Glass | 3,732             | 117               |
| LNT2-30-120-277-5K-60-H1-CG-GRY-YKE  | 30          | 5000K | 60   | Clear Glass   | 4,035             | 133               |
| LNT2-30-120-277-5K-T2-H1-CG-GRY-YKE  | 30          | 5000K | T2   | Clear Glass   | 3,727             | 123               |
| LNT2-40-120-277-5K-110-H1-CG-GRY-YKE | 40          | 5000K | 110  | Clear Glass   | 6,192             | 149               |
| LNT2-40-120-277-5K-110-H1-DG-GRY-YKE | 40          | 5000K | 110  | Diffuse Glass | 4,873             | 117               |
| LNT2-40-120-277-5K-60-H1-CG-GRY-YKE  | 40          | 5000K | 60   | Clear Glass   | 5,131             | 129               |
| LNT2-40-120-277-5K-T2-H1-CG-GRY-YKE  | 40          | 5000K | T2   | Clear Glass   | 4,868             | 123               |
| LNT2-60-120-277-5K-110-H1-CG-GRY-YKE | 60          | 5000K | 110  | Clear Glass   | 8,670             | 147               |
| LNT2-60-120-277-5K-110-H1-DG-GRY-YKE | 60          | 5000K | 110  | Diffuse Glass | 6,895             | 117               |
| LNT2-60-120-277-5K-60-H1-CG-GRY-YKE  | 60          | 5000K | 60   | Clear Glass   | 8,262             | 137               |
| LNT2-60-120-277-5K-T2-H1-CG-GRY-YKE  | 60          | 5000K | T2   | Clear Glass   | 7,739             | 129               |
| LNT2-80-120-277-5K-110-H1-CG-GRY-YKE | 80          | 5000K | 110  | Clear Glass   | 10,810            | 142               |
| LNT2-80-120-277-5K-110-H1-DG-GRY-YKE | 80          | 5000K | 110  | Diffuse Glass | 8,685             | 114               |
| LNT2-80-120-277-5K-60-H1-CG-GRY-YKE  | 80          | 5000K | 60   | Clear Glass   | 10,406            | 133               |
| LNT2-80-120-277-5K-T2-H1-CG-GRY-YKE  | 80          | 5000K | T2   | Clear Glass   | 9,575             | 123               |
| <b>Voltage 347-480V AC</b>           |             |       |      |               |                   |                   |
| LNT2-30-347-480-5K-110-H1-CG-GRY-YKE | 30          | 5000K | 110  | Clear Glass   | 4,389             | 136               |
| LNT2-30-347-480-5K-110-H1-DG-GRY-YKE | 30          | 5000K | 110  | Diffuse Glass | 3,560             | 110               |
| LNT2-30-347-480-5K-60-H1-CG-GRY-YKE  | 30          | 5000K | 60   | Clear Glass   | 3,847             | 125               |
| LNT2-30-347-480-5K-T2-H1-CG-GRY-YKE  | 30          | 5000K | T2   | Clear Glass   | 3,559             | 116               |
| LNT2-40-347-480-5K-110-H1-CG-GRY-YKE | 40          | 5000K | 110  | Clear Glass   | 6,022             | 146               |
| LNT2-40-347-480-5K-110-H1-DG-GRY-YKE | 40          | 5000K | 110  | Diffuse Glass | 4,773             | 116               |
| LNT2-40-347-480-5K-60-H1-CG-GRY-YKE  | 40          | 5000K | 60   | Clear Glass   | 5,084             | 130               |
| LNT2-40-347-480-5K-T2-H1-CG-GRY-YKE  | 40          | 5000K | T2   | Clear Glass   | 4,713             | 120               |
| LNT2-60-347-480-5K-110-H1-CG-GRY-YKE | 60          | 5000K | 110  | Clear Glass   | 8,669             | 145               |
| LNT2-60-347-480-5K-110-H1-DG-GRY-YKE | 60          | 5000K | 110  | Diffuse Glass | 6,882             | 115               |
| LNT2-60-347-480-5K-60-H1-CG-GRY-YKE  | 60          | 5000K | 60   | Clear Glass   | 8,258             | 135               |
| LNT2-60-347-480-5K-T2-H1-CG-GRY-YKE  | 60          | 5000K | T2   | Clear Glass   | 7,732             | 127               |
| LNT2-80-347-480-5K-110-H1-CG-GRY-YKE | 80          | 5000K | 110  | Clear Glass   | 10,982            | 143               |
| LNT2-80-347-480-5K-110-H1-DG-GRY-YKE | 80          | 5000K | 110  | Diffuse Glass | 8,816             | 115               |
| LNT2-80-347-480-5K-60-H1-CG-GRY-YKE  | 80          | 5000K | 60   | Clear Glass   | 10,505            | 134               |
| LNT2-80-347-480-5K-T2-H1-CG-GRY-YKE  | 80          | 5000K | T2   | Clear Glass   | 9,719             | 124               |

For additional information, please contact your sales representative.

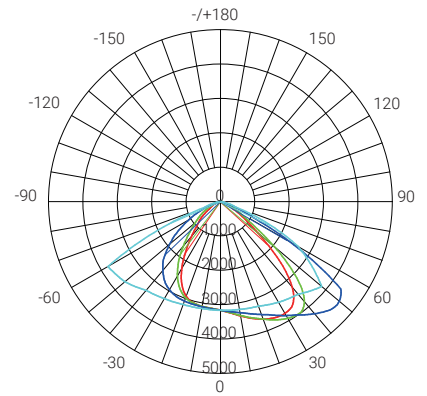




**60°  
NEMA 4 - Medium**



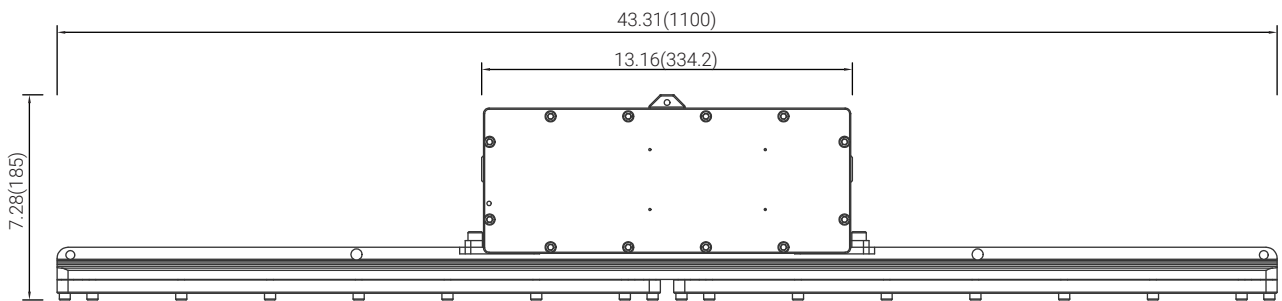
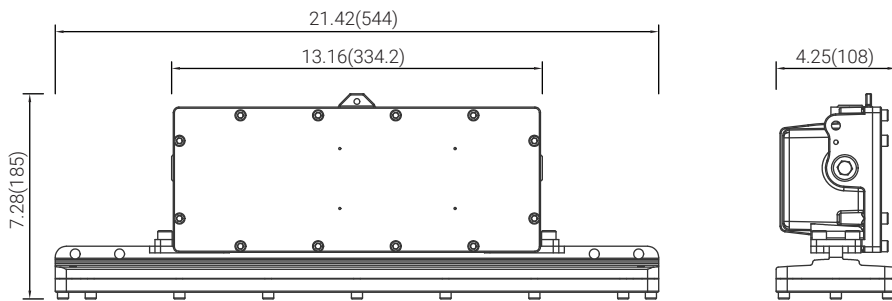
**110°  
NEMA 6 - Wide**



**Type II**

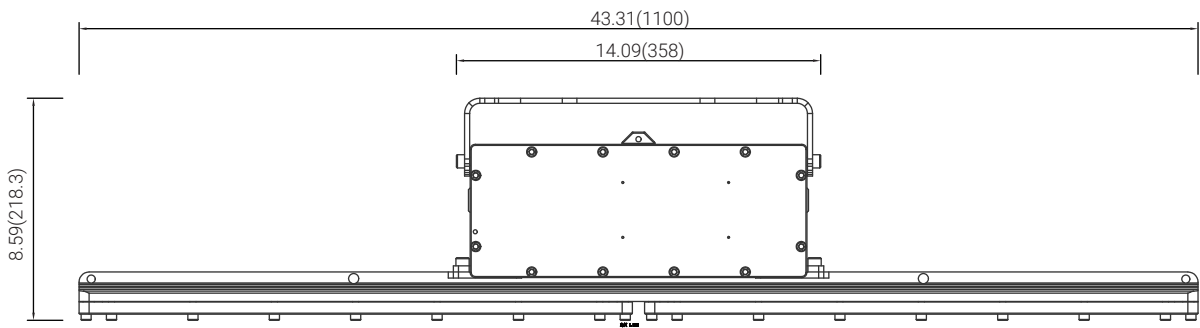
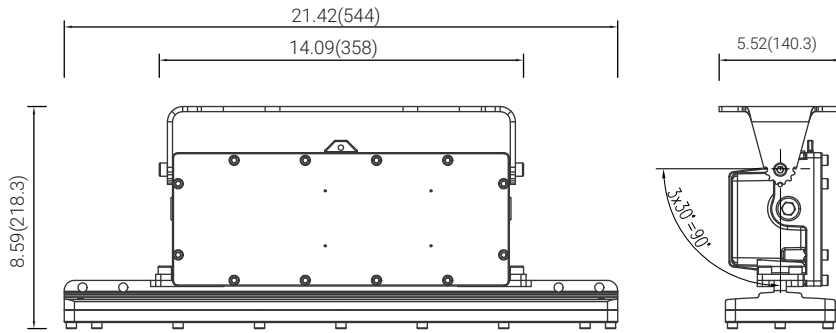
## DIMENSIONS

unit: in(mm)

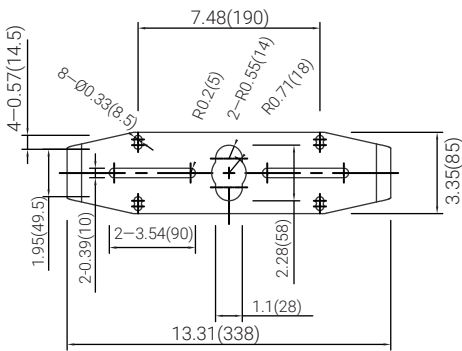


**Pendant**

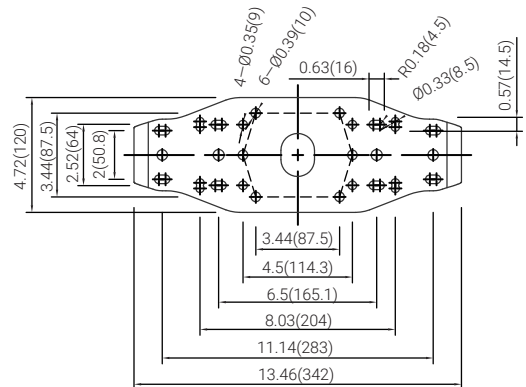
unit: in(mm)



Yoke

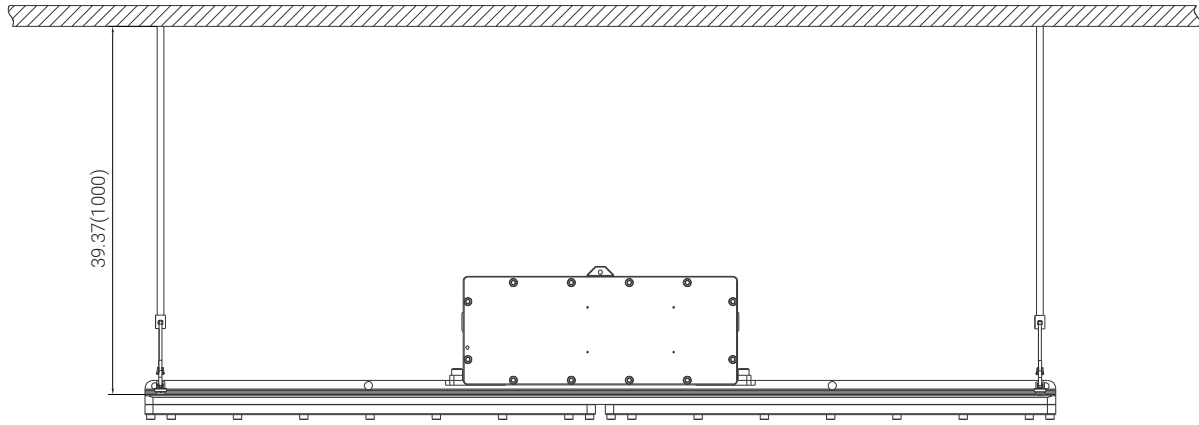


LNT-YOKE

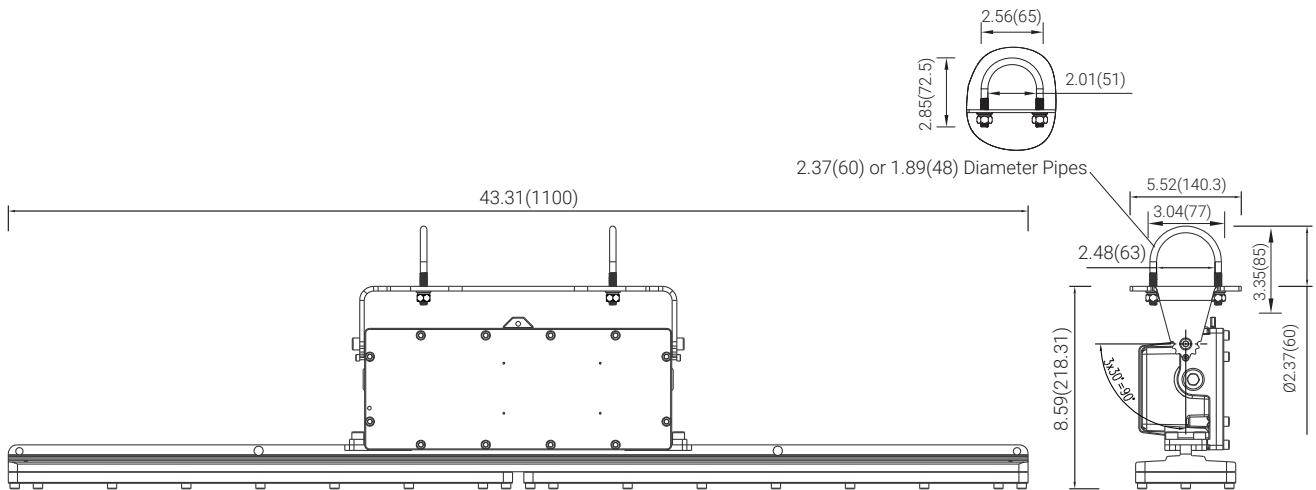


LNT-YOKE P

unit: in(mm)



Chain



Pole

# HAZARDOUS LOCATION LIGHTING BASICS

## Atmosphere Groups

## Temperature Classification

| Substance  | Hazard Class                     | Division Groups              | Zone Groups       | Max. Surface Temperatures | NEC®500 CEC® | NEC®500/IEC-Group II |
|--|----------------------------------|------------------------------|-------------------|---------------------------|--------------|----------------------|
| Acetylene  | Class I<br>Flammable<br>Gases    | Group A                      | IIC               | 450(842)                  | T1           | T1                   |
| Hydrogen   |                                  | Group B                      | IIC               | 300(572)                  | T2           |                      |
| Ethylene   |                                  | Group C                      | IIB               | 280(536)                  | T2A          | T2                   |
| Propane  |                                  | Group D                      | IIA               | 260(500)                  | T2B          |                      |
| Methane  |                                  | Group D                      | IIA <sup>2</sup>  | 230(446)                  | T2C          |                      |
| Combustible Metal Dusts  | Class II<br>Combustible<br>Dusts | Group E <sup>1</sup>         | IIIC <sup>3</sup> | 215(419)                  | T2D          | T3                   |
| Combustible Carbonaceous Dust  |                                  | Group F                      | IIIB <sup>3</sup> | 200(392)                  | T3           |                      |
| Combustible Dusts not in Group E or F<br>(Flour, Grain, Wood, Plastics, Chemicals) |                                  | Group G                      | IIIB <sup>3</sup> | 180(256)                  | T3A          |                      |
| Combustible Fibers and Flyings   |                                  | Class III Fibers and Flyings | Not Applicable    | IIIA <sup>3</sup>         | 165(329)     |                      |
|  |                                  |                              |                   | 160(320)                  | T3C          |                      |
|  |                                  |                              |                   | 135(275)                  | T4           | T4                   |
|  |                                  |                              |                   | 120(248)                  | T4A          |                      |
|  |                                  |                              |                   | 100(212)                  | T5           | T5                   |
|  |                                  |                              |                   | 85(185)                   | T6           | T6                   |

Note 1: Group E is applicable to Class II, Division 1 only.  
 Note 2: Methane is a Group IIA Gas for non-mining applications.  
 Note 3: Group IIIA, IIIB and IIIC have not been adopted by the Canadian Electrical Code.

## Classification of Divisions and Zones

| Hazard Level                     | Division Scheme | Zone Scheme      | Definitions  |
|----------------------------------|-----------------|------------------|--|
| Continuous Hazard                | Division 1      | Zone 0 / Zone 20 | A place in which an explosive atmosphere is continually present  |
| Intermittent Hazard              |                 | Zone 1 / Zone 21 | A place in which an explosive atmosphere is likely to occur in normal operation                                      |
| Hazard Under Abnormal Conditions | Division 2      | Zone 2 / Zone 22 | A place in which an explosive atmosphere is not likely to occur in normal operation, but may occur for short periods |

## IP Codes

| 1st No. | Solid Objects                          |
|---------|--|
| 0       | No protection                          |
| 1       | Objects greater than 50mm              |
| 2       | Objects greater than 12.5mm            |
| 3       | Objects greater than 2.5mm             |
| 4       | Objects greater than 1mm               |
| 5       | Dust protected                         |
| 6       | Dust proof                             |
| 2nd No. | Liquids                                |
| 0       | No protection                          |
| 1       | Vertically dripping                    |
| 2       | Dripping up to 15°                     |
| 3       | Limited spraying                       |
| 4       | Splashing from all directions          |
| 5       | Hosing jets from all directions        |
| 6       | Strong hosing jets from all directions |
| 7       | Temporary immersion                    |
| 8       | Continuous immersion                   |
| 9       | Steam-jet cleaning                     |

## IK Ratings

| IK Code | Level of Protection Achieved         |
|---------|--------------------------------------|
| IK00    | Not protected                        |
| IK01    | Protected against 0.14 joules impact |
| IK02    | Protected against 0.2 joules impact  |
| IK03    | Protected against 0.35 joules impact |
| IK04    | Protected against 0.5 joules impact  |
| IK05    | Protected against 0.7 joules impact  |
| IK06    | Protected against 1 joules impact    |
| IK07    | Protected against 2 joules impact    |
| IK08    | Protected against 5 joules impact    |
| IK09    | Protected against 10 joules impact   |
| IK10    | Protected against 20 joules impact   |

RED SKY LIGHTING LLC  
9370 Pittsburgh Ave  
Rancho Cucamonga, CA 91730, USA

1(262) 456-5002  
[contact@redskylighting.com](mailto:contact@redskylighting.com)  
[www.redskylighting.com](http://www.redskylighting.com)

**RED SKY**  
SERIOUSLY SAFE LIGHTS™