

ROUND MAX SERIES

LED LIGHTING FOR HARSH AND
HAZARDOUS AREAS HIGHBAY



Reliable. Durable. Efficient.
12,000 to 30,000 lumen models

RED SKY
SERIOUSLY SAFE LIGHTS™

PIONEERING INDUSTRIAL ILLUMINATION FOR HARSH & HAZARDOUS CONDITIONS

- A leading manufacturer of premium LED lights for demanding work conditions
- Headquartered in California, products assembled in the USA
- Servicing global clients across 4 continents in metal processing, oil & gas, marine, manufacturing
- Renowned for quality, dependability, client care and uncompromising safety standards



WHY CHOOSE RED SKY

❧ SERIOUSLY SAFE LIGHTS

- Rigorously tested in our professional labs
- Surpassing industry certifications and safety protocols
- Crafted with highest grade components for maximum durability

❧ FAST DELIVERY

- Majority of orders delivered within 14 days
- Same day shipping for products in stock
- Real-time order tracking for full transparency

❧ TOP-NOTCH SERVICES

- Team of experts for seamless support
- Energy audit services, lighting simulation services
- Hassle-free return policy and management

❧ SUSTAINABLE SOLUTIONS

- High luminous efficacy LEDs for energy savings
- Conscious product design
- Recyclable materials for products and packaging

ROUND MAX SERIES

**UNMATCHED POWER AND
BRIGHTNESS – ROUND MAX
BRINGS THE SIZE TO THE
ROUND SERIES LINE-UP**



Prepare to transform your lighting solution with the extraordinary **Round Max**. It embodies the very essence of power and brightness. Designed for both indoor mid to high bay and outdoor general area applications, the Round-Max is here to revolutionize your lighting experience.

With an impressive output of up to 30,000 lumens and equipped with type I, III, and V optics, the Round-Max effortlessly outshines the competition. It reduces the number of fixtures required for the same area, while delivering unparalleled brightness. Thanks to its innovative design and engineering, the Round-Max offers swift installation, taking as little as 60 seconds to install. It's the perfect choice for illuminating oil & gas refineries, shipyards, power plants, and various industrial applications.





ROUND MAX SERIES
ALCOHOL FACTORY, KENTUCKY

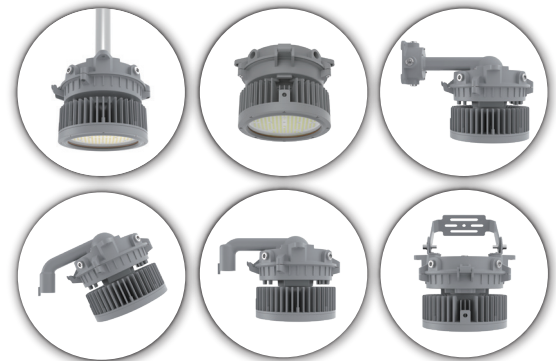
FEATURES



Quick Installation
60 seconds installation time



Flexible Installation
6 different mounting options



Instant Illumination and Restrike
Four lumen outputs provide 320-1000W HID/MH equivalent lighting (12,000 to 30,000Lm)
Polycarbonate and tempered glass with three different optics

RATINGS

Class I Division 2, Group A, B, C, D	Simultaneous Presence
Class II Division 1 Group E, F, G	UL 1598 Wet Locations
Class II Division 2, Group F, G	UL 1598A Marine Outside Type (Salt Water)
Class III	IP66
Class I, Zone 2, Group IIC	IK08(Glass) / IK10(PC)
Zone 21, Group IIIC	

CERTIFICATIONS

UL844
UL1598
UL1598A
CSA C22.2 No.137
CSA C22.2 No.250.0
DLC

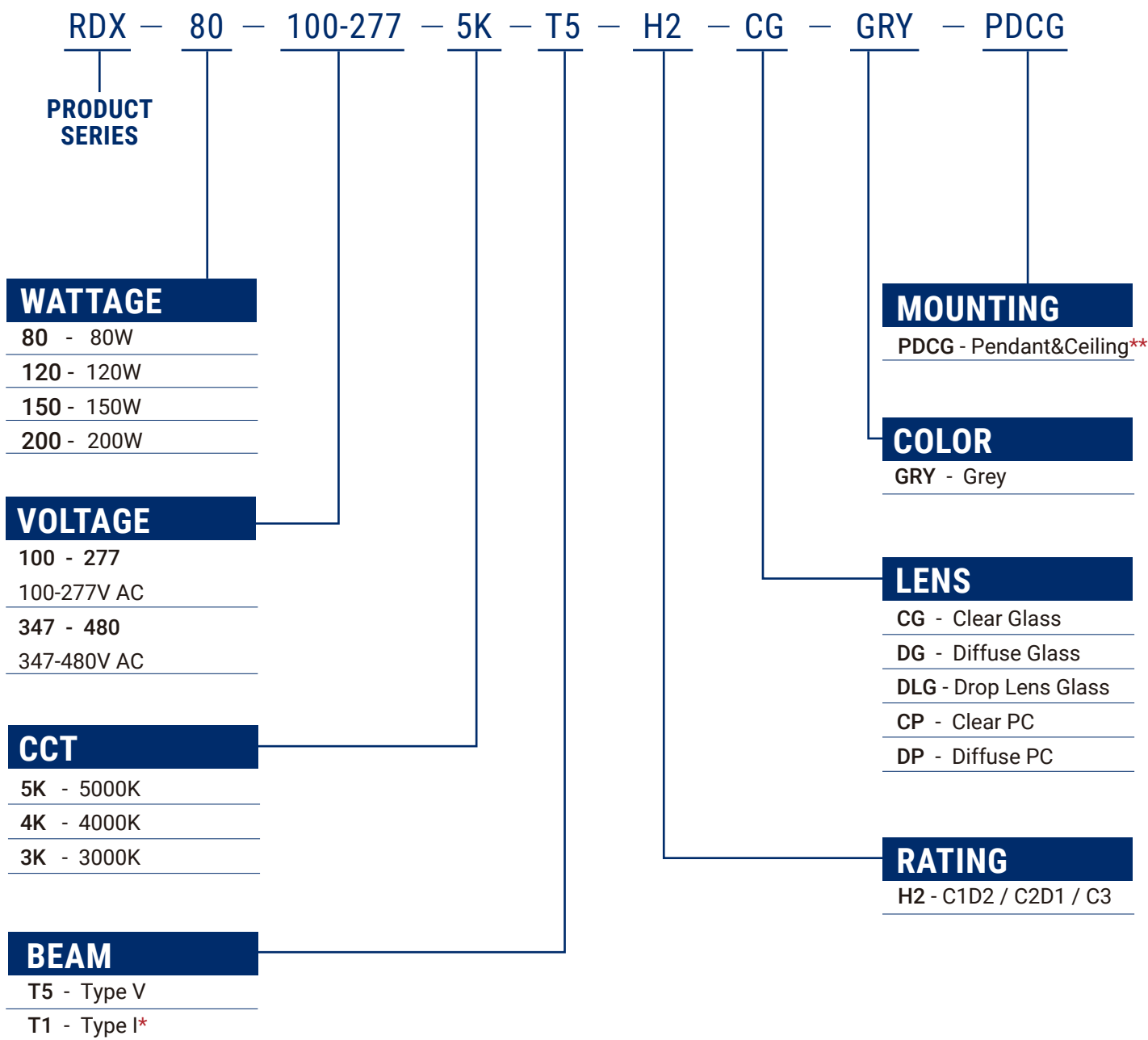
TECHNICAL PARAMETERS

Specification	RDX-80	RDX-120	RDX-150	RDX-200
Electrical Parameters				
Power	80W	120W	150W	200W
Voltage/Frequency	100-277V AC / 347-480V AC, 50/60Hz			
Power Factor	>90%			
THD	<20%			
L70	145,000 Hours@131°F			
Dimming	0-10V			
Surge Protection	10KV			
Warranty	LEDs: 10 years, Driver: 7 years			
Optical Parameters				
Lumen Output*	12,720Lm	19,320Lm	23,850Lm	29,600Lm
Lumen Efficacy*	150Lm/W			
Available Beam Angle	T1 / T5			
Correlated Color Temperature (CCT)	3000K/4000K/5000K			
Color Rendering Index (CRI)	Ra>70			
Mechanical Parameters				
Finish	Thermoset Powdercoat			
Hardware	Stainless steel 316			
Lens Material	Tempered Glass or Polycarbonate			
Mounting Options	Pendant, Ceiling, Stanchion, Wall, Yoke			
Product Weight	21.6lbs/9.8kg			
Cable Entry	(6) 3/4" NPT			
Product Dimensions(Φ×H)	Φ10.6×9.1in(Φ270×230mm)			
Environmental Parameters				
Ambient Operating Temperature	-40°F ~ +149°F (-40°C ~ 65°C)	-40°F ~ +140°F (-40°C ~ 60°C)	-40°F ~ 131°F (-40°C ~ 55°C)	
T-Code Rating	CID2 – T4A, CIID1 – T4A			

* Value calculated based on 5000K and Clear glass ,varies to different spec.

ORDERING INFORMATION

EXAMPLE: RDX-80-100-277-5K-HAR-T5-H2-CG-GRY-PDCG



* T1 Optic available with Clear Glass Option only

** No accessory required for Pendant & Ceiling Mount

** For mounting options: Stanchion / WALL, Accessories ordered separately

MOUNTING ACCESSORIES



Yoke



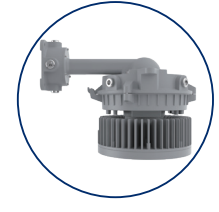
Pendant



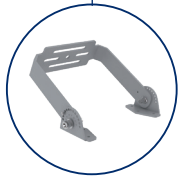
Ceiling



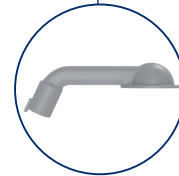
Stanchion



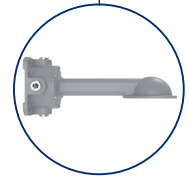
Wall



90°



25°



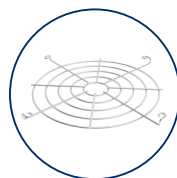
Mounting Method	PN	Description	MPN Code
Yoke	RDX-YOKE	Yoke Mount, RDX SERIES, SS304, Power Coated Grey RAL7037	201010095
Wall	RDX-WL90 **	Wall Mount 90 DEGREE, RDX SERIES, Power Coated Grey RAL7037	309050252
Stanchion	RDX-SN9001 **	Stanchion Mount 90 Degree, NPT1-1/2	309050250
	RDX-SN9002 **	Stanchion Mount 90 Degree, NPT1-1/4	309050248
	RDX-SN2501 **	Stanchion Mount 25 Degree, NPT1-1/2	309050246
	RDX-SN2502 **	Stanchion Mount 25 Degree, NPT1-1/4	309050244

** Packed separately

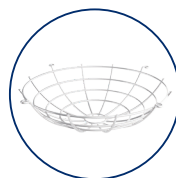
OTHER ACCESSORIES



SFCB01



RDX-WG



RDX-WGD



SP1 / SP1HV

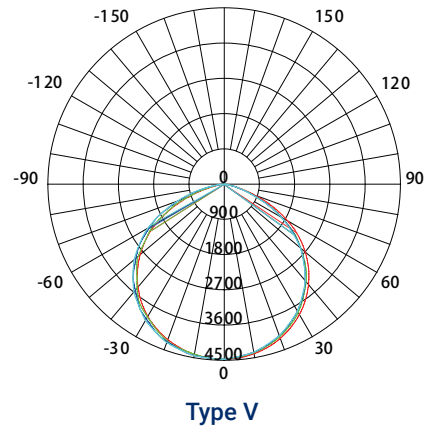
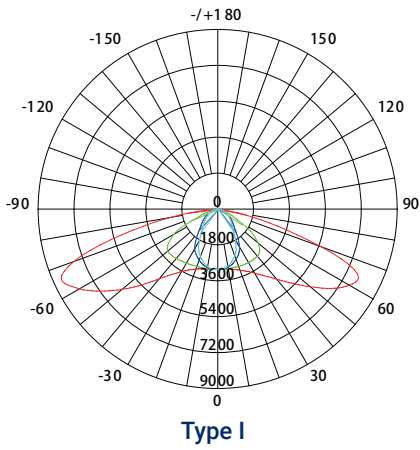
PN	Description	MPN Code
SFCB01	Safety Cable Kit, BLK & RDX SERIES, SS304	106060018
RDX-WG	Wire guard for Flat Glass Lens, RDX	310010110
RDX-WGD	Wire guard for Drop Glass Lens, RDX	310010111
SP1	10KV Surge Protector 120~277V	309050060
SP1HV	10KV Surge Protector 347~480V	309050061

LUMEN TABLE

Part Number	Wattage (W)	CCT	Beam	Lens	Lumen Output (Lm)	Efficiency (Lm/W)
Voltage 120-277VAC						
RDX-80-100-277-5K-T5-H2-CG-GRY-PDCG	80	5000K	Type V	Clear Glass	12,720	159
RDX-80-100-277-5K-T5-H2-DG-GRY-PDCG	80	5000K	Type V	Diffuse Glass	11,280	141
RDX-80-100-277-5K-T5-H2-CP-GRY-PDCG	80	5000K	Type V	Clear PC	12,320	154
RDX-80-100-277-5K-T5-H2-DP-GRY-PDCG	80	5000K	Type V	Diffuse PC	8,880	111
RDX-80-100-277-5K-T5-H2-DLG-GRY-PDCG	80	5000K	Type V	Drop Lens Glass	12,400	155
RDX-120-100-277-5K-T5-H2-CG-GRY-PDCG	120	5000K	Type V	Clear Glass	19,320	161
RDX-120-100-277-5K-T5-H2-DG-GRY-PDCG	120	5000K	Type V	Diffuse Glass	17,040	142
RDX-120-100-277-5K-T5-H2-CP-GRY-PDCG	120	5000K	Type V	Clear PC	18,600	155
RDX-120-100-277-5K-T5-H2-DP-GRY-PDCG	120	5000K	Type V	Diffuse PC	13,320	111
RDX-120-100-277-5K-T5-H2-DLG-GRY-PDCG	120	5000K	Type V	Drop Lens Glass	18,720	156
RDX-150-100-277-5K-T5-H2-CG-GRY-PDCG	150	5000K	Type V	Clear Glass	23,850	159
RDX-150-100-277-5K-T5-H2-DG-GRY-PDCG	150	5000K	Type V	Diffuse Glass	21,150	141
RDX-150-100-277-5K-T5-H2-CP-GRY-PDCG	150	5000K	Type V	Clear PC	22,800	152
RDX-150-100-277-5K-T5-H2-DP-GRY-PDCG	150	5000K	Type V	Diffuse PC	16,200	108
RDX-150-100-277-5K-T5-H2-DLG-GRY-PDCG	150	5000K	Type V	Drop Lens Glass	22,950	153
RDX-200-100-277-5K-T5-H2-CG-GRY-PDCG	200	5000K	Type V	Clear Glass	29,600	148
RDX-200-100-277-5K-T5-H2-DG-GRY-PDCG	200	5000K	Type V	Diffuse Glass	26,000	130
RDX-200-100-277-5K-T5-H2-CP-GRY-PDCG	200	5000K	Type V	Clear PC	28,400	142
RDX-200-100-277-5K-T5-H2-DP-GRY-PDCG	200	5000K	Type V	Diffuse PC	19,800	99
RDX-200-100-277-5K-T5-H2-DLG-GRY-PDCG	200	5000K	Type V	Drop Lens Glass	28,400	142
Voltage 347-480VAC						
RDX-80-347-480-5K-T5-H2-CG-GRY-PDCG	80	5000K	Type V	Clear Glass	12,800	161
RDX-80-347-480-5K-T5-H2-DG-GRY-PDCG	80	5000K	Type V	Diffuse Glass	11,440	143
RDX-80-347-480-5K-T5-H2-CP-GRY-PDCG	80	5000K	Type V	Clear PC	12,320	154
RDX-80-347-480-5K-T5-H2-DP-GRY-PDCG	80	5000K	Type V	Diffuse PC	8,880	111
RDX-80-347-480-5K-T5-H2-DLG-GRY-PDCG	80	5000K	Type V	Drop Lens Glass	12,560	157
RDX-120-347-480-5K-T5-H2-CG-GRY-PDCG	120	5000K	Type V	Clear Glass	17,040	142
RDX-120-347-480-5K-T5-H2-DG-GRY-PDCG	120	5000K	Type V	Diffuse Glass	18,240	152
RDX-120-347-480-5K-T5-H2-CP-GRY-PDCG	120	5000K	Type V	Clear PC	13,200	110
RDX-120-347-480-5K-T5-H2-DP-GRY-PDCG	120	5000K	Type V	Diffuse PC	18,480	154
RDX-120-347-480-5K-T5-H2-DLG-GRY-PDCG	120	5000K	Type V	Drop Lens Glass	19,080	159
RDX-150-347-480-5K-T5-H2-CG-GRY-PDCG	150	5000K	Type V	Clear Glass	23,700	158
RDX-150-347-480-5K-T5-H2-DG-GRY-PDCG	150	5000K	Type V	Diffuse Glass	21,000	140
RDX-150-347-480-5K-T5-H2-CP-GRY-PDCG	150	5000K	Type V	Clear PC	22,800	152
RDX-150-347-480-5K-T5-H2-DP-GRY-PDCG	150	5000K	Type V	Diffuse PC	16,200	108
RDX-150-347-480-5K-T5-H2-DLG-GRY-PDCG	150	5000K	Type V	Drop Lens Glass	22,800	152
RDX-200-347-480-5K-T5-H2-CG-GRY-PDCG	200	5000K	Type V	Clear Glass	31,200	156
RDX-200-347-480-5K-T5-H2-DG-GRY-PDCG	200	5000K	Type V	Diffuse Glass	27,400	137
RDX-200-347-480-5K-T5-H2-CP-GRY-PDCG	200	5000K	Type V	Clear PC	29,800	149
RDX-200-347-480-5K-T5-H2-DP-GRY-PDCG	200	5000K	Type V	Diffuse PC	21,000	105
RDX-200-347-480-5K-T5-H2-DLG-GRY-PDCG	200	5000K	Type V	Drop Lens Glass	30,000	150

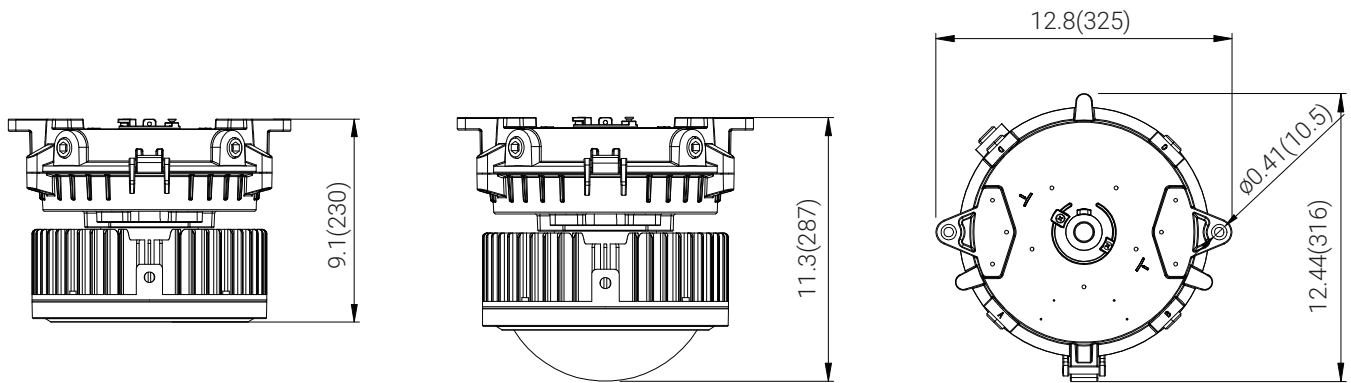
For additional information, please contact your sales representative.

PHOTOMETRIC

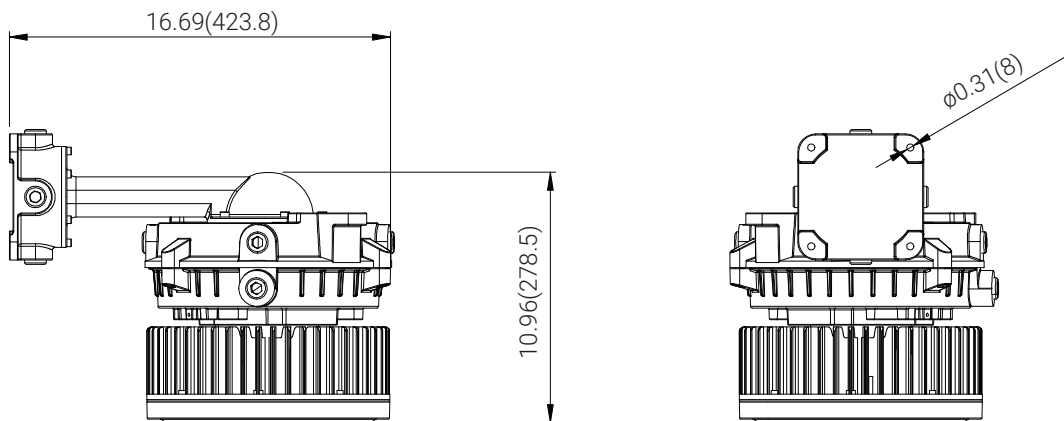


DIMENSIONS

unit: in(mm)



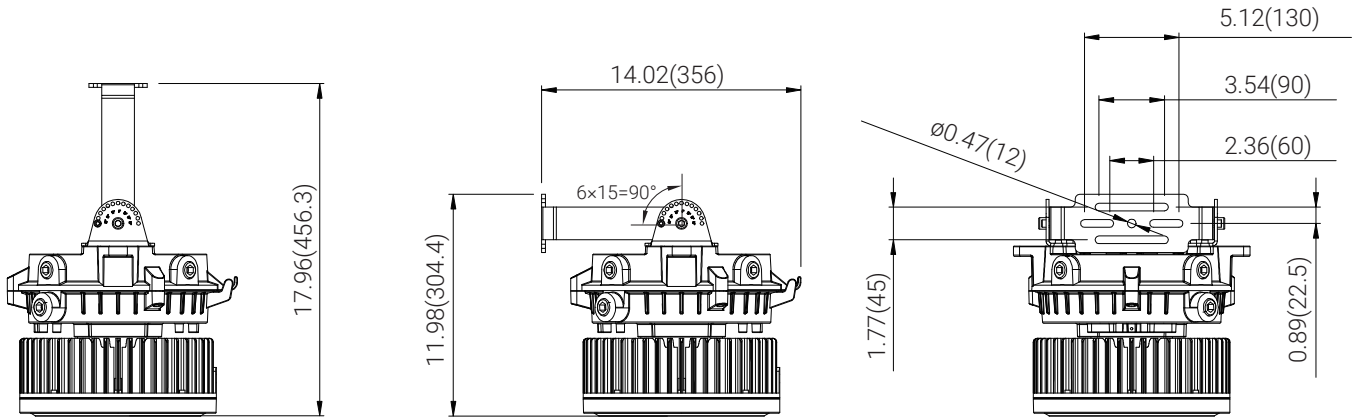
Pendant/Ceiling



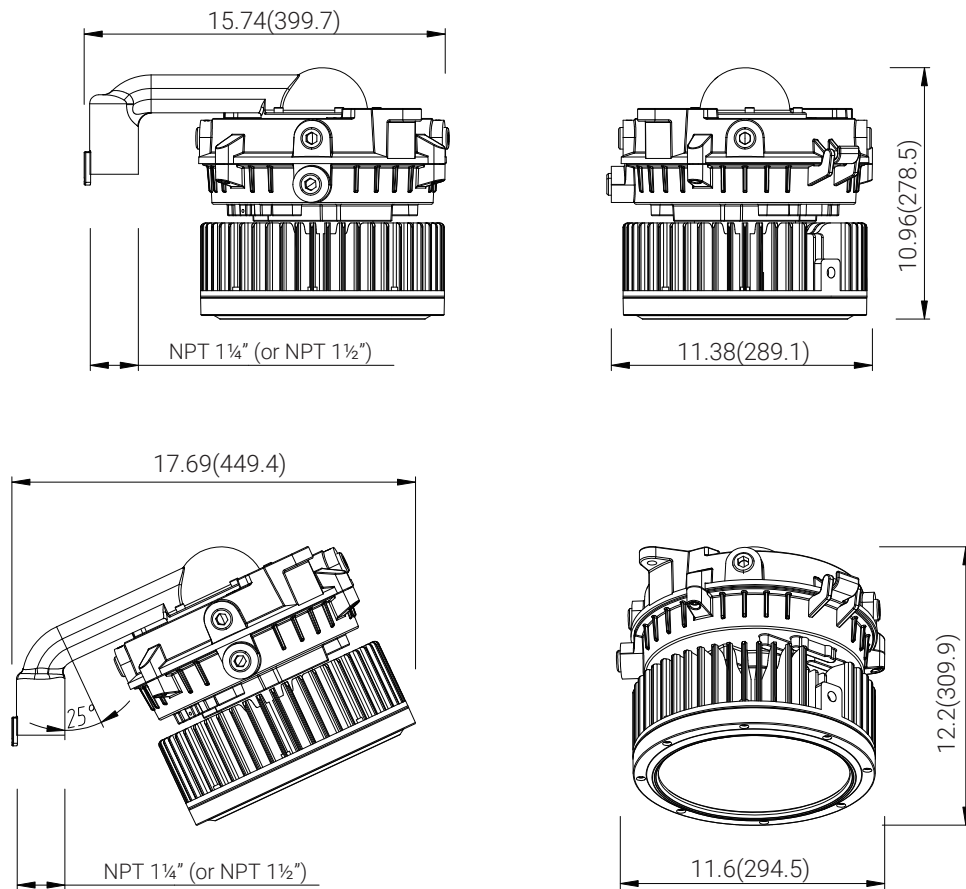
Wall

DIMENSIONS

unit: in(mm)



Yoke



Stanchion

HAZARDOUS LOCATION LIGHTING BASICS

Atmosphere Groups

Temperature Classification

Substance	Hazard Class	Division Groups	Zone Groups	Max. Surface Temperatures	NEC®500 CEC®	NEC®500/IEC-Group II
Acetylene	Class I Flammable Gases	Group A	IIC	450(842)	T1	T1
Hydrogen		Group B	IIC	300(572)	T2	
Ethylene		Group C	IIB	280(536)	T2A	T2
Propane		Group D	IIA	260(500)	T2B	
Methane		Group D	IIA ²	230(446)	T2C	
Combustible Metal Dusts	Class II Combustible Dusts	Group E ¹	IIIC ³	215(419)	T2D	T3
Combustible Carbonaceous Dust		Group F	IIIB ³	200(392)	T3	
Combustible Dusts not in Group E or F (Flour, Grain, Wood, Plastics, Chemicals)		Group G	IIIB ³	180(256)	T3A	
Combustible Fibers and Flyings				Class III Fibers and Flyings	Not Applicable	
				160(320)	T3C	
				135(275)	T4	T4
				120(248)	T4A	
				100(212)	T5	T5
				85(185)	T6	T6

Note 1: Group E is applicable to Class II, Division 1 only.
 Note 2: Methane is a Group IIA Gas for non-mining applications.
 Note 3: Group IIIA, IIIB and IIIC have not been adopted by the Canadian Electrical Code.

Classification of Divisions and Zones

Hazard Level	Division Scheme	Zone Scheme	Definitions
Continuous Hazard	Division 1	Zone 0 / Zone 20	A place in which an explosive atmosphere is continually present
Intermittent Hazard		Zone 1 / Zone 21	A place in which an explosive atmosphere is likely to occur in normal operation
Hazard Under Abnormal Conditions	Division 2	Zone 2 / Zone 22	A place in which an explosive atmosphere is not likely to occur in normal operation, but may occur for short periods

IP Codes

1st No.	Solid Objects
0	No protection
1	Objects greater than 50mm
2	Objects greater than 12.5mm
3	Objects greater than 2.5mm
4	Objects greater than 1mm
5	Dust protected
6	Dust proof
2nd No.	Liquids
0	No protection
1	Vertically dripping
2	Dripping up to 15°
3	Limited spraying
4	Splashing from all directions
5	Hosing jets from all directions
6	Strong hosing jets from all directions
7	Temporary immersion
8	Continuous immersion
9	Steam-jet cleaning

IK Ratings

IK Code	Level of Protection Achieved
IK00	Not protected
IK01	Protected against 0.14 joules impact
IK02	Protected against 0.2 joules impact
IK03	Protected against 0.35 joules impact
IK04	Protected against 0.5 joules impact
IK05	Protected against 0.7 joules impact
IK06	Protected against 1 joules impact
IK07	Protected against 2 joules impact
IK08	Protected against 5 joules impact
IK09	Protected against 10 joules impact
IK10	Protected against 20 joules impact

RED SKY LIGHTING LLC
9370 Pittsburgh Ave
Rancho Cucamonga, CA 91730, USA

1(262) 456-5002
contact@redskylighting.com
www.redskylighting.com

RED SKY
SERIOUSLY SAFE LIGHTS™