

BLOCK SERIES H1

EXPLOSION PROOF, VERSATILE AND ENERGY EFFICIENT

At 130 lumens per watt with 3 different beam patterns, the Block Series brings design, excellence, and durability to harsh and hazardous rated lighting.

Explosion proof, the Block is suitable where flammable gases, vapors and combustible dusts are present.

Applications include oil and gas rigs, petrochemical plants, and other hazardous corrosive facilities.



SCAN FOR LATEST PRODUCT INFO



RATINGS & CERTIFICATIONS

- > Class I Division 1 Group C, D
- > Class I Division 2 Group A, B, C, D
- > Class II Division 2 Group F&G
- > Class III



APPLICATION

Power Plants / Heavy Industrials Storage Facility / Paper Mills
Wastewater Treatment Plants / Loading Docks / Platforms / Shipyards
Chemical Processing Facility / Petrochemical Processing Facility

FEATURES

- > Best-in-class system efficacy - Up to 130 Lm / W
- > Universal Voltage: AC100-277, 347-480V (50/60Hz)
- > Instant illumination and restrike - no warm-up time required
- > Safe and reliable heat transfer - Offering a T-rating of T6 (CID1)/T4A (CID2, CIID2)
- > Shock-and vibration-resistant - Durable LEDs with solder-less board connection
- > Copper-free aluminum body and frame -corrosion resistant
- > All exposed fasteners with quality stainless steel
- > High Temperature silicone gasketing
- > Thermal shock and impact resistant glass lens
- > Harsh & Hazardous Duty

SPECIFICATION

POWER	:	80W/100W/150W
VOLTAGE / FREQUENCY	:	100-277V AC / 347-480V AC 50/60Hz
POWER FACTOR	:	≥90%
THD	:	<20%
L70	:	170,000 Hours@140°F
SURGE PROTECTION	:	4Kv
LUMEN OUTPUT	:	10400/13000/19500Lm
LUMEN EFFICIENCY	:	130Lm/W
BEAM ANGLE	:	25°/60°/120°
CCT	:	3000K/4000K/5000K
COLOUR RENDERING INDEX	:	Ra>70
AMBIENT TEMPERATURE	:	-40°F ~ +140°F (-40°C ~ +60°C)
T-CODE RATING	:	CID1 – T6, CID2 – T4A, CIID2 – T4A
FINISH	:	Thermoset Powercoat
HARDWARE	:	Stainless Steel 316
CONNECTIONS	:	3/4 NPT
MOUNTING OPTIONS	:	Pendant, Yoke Bracket, Stanchion
WEIGHT	:	33.4Lb/15.2Kg
DIMENSIONS (L×W×H)	:	12.9×10.7×8.4in (328×271×214 mm)
WARRANTY	:	Driver: 7 Years, LEDs: 10 Years

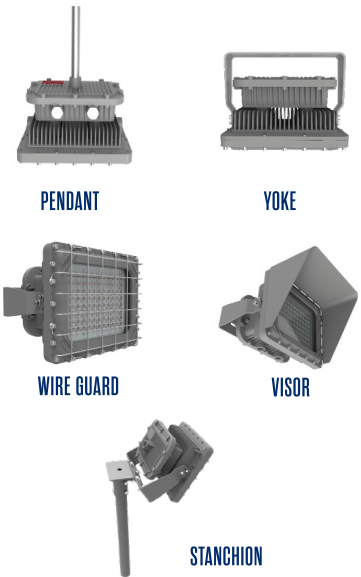
EXAMPLE: BLK-150-100-277-5K-120-H1-CG-GRY-PND

BLK	150	100-277	5K	120	H1	CG	GRY	PND
FIXTURE	WATTAGE 80 - 80W 100 - 100W 150 - 150W	VOLTAGE 100-277 347-480	CCT 5K - 5000K 4K - 4000K 3K - 3000K	BEAM 120 - 120° 60 - 60° 25 - 25°	RATING H1-C1D1 / C1D2 / C2D2 / C3	LENS CG - Clear Glass	COLOR GRY - Grey	MOUNTING PND - Pendant YKE - Yoke**

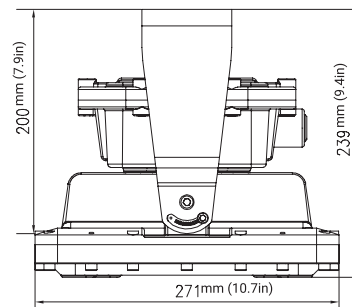
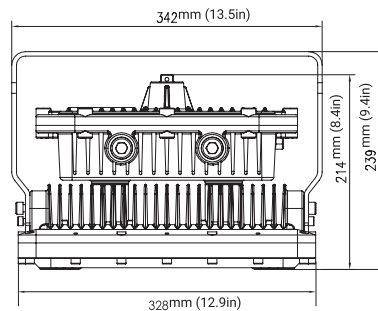
ACCESSORIES (ORDERED SEPARATELY)

Item	Description	MPN Code
BLK-YOKE	: Yoke Mount, BLK SERIES, SS304, Power Coated Grey RAL7037	309050055
BLK-360Y	: 360° Rotation Yoke Mount, BLK SERIES, SS304, Power Coated Grey RAL7037	201010115
BLK-AVBY	: Anti-vibration Yoke Mount, BLK SERIES, SS304, Power Coated Grey RAL7037	309050298
STAN01 ***	: Slip-Fit Stanchion Mount Kit, BLK SERIES, SS304, Power Coated Grey RAL7037	309050300
SFCB01	: Safety Cable Kit, BLK & RDX SERIES, SS304I	106060018
BLK-WG	: Lens Wire Guard, BLK SERIES, SS304	106060013
SP1	: 10KV Surge Protector 120~277V	309050060
SP1HV	: 10KV Surge Protector 347~480V	309050061
BLK-VISO	: VISOR, BLK SERIES, SS304, Power Coated Grey RAL7037	101040169

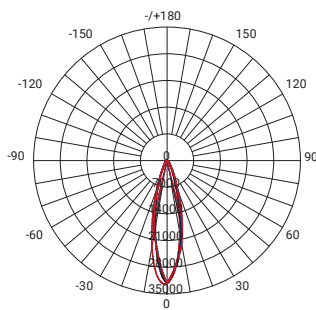
** BLK-YOKE Pre-installed as standard, Contact sales for other Yoke options.
 *** REQUIRES A YOKE MOUNT



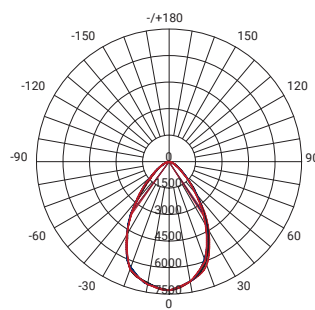
DIMENSIONS



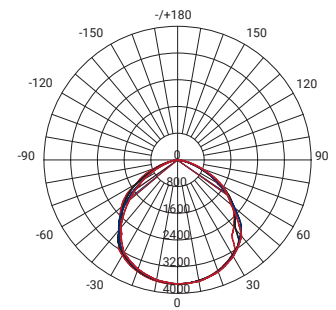
PHOTOMETRICS



25°



60°



120°