

# LINEAR TUFF SERIES

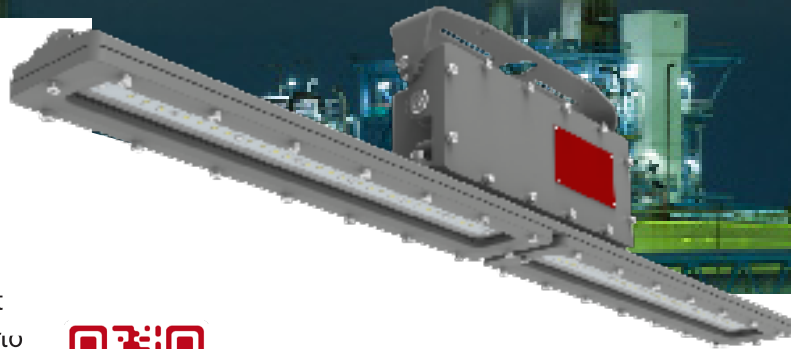
## LINEAR, EXPLOSION PROOF LIGHT

Sleek but rugged, this fixture is designed to meet the most demanding harsh and hazardous environments. Rated up to Class I Division 1, the Linear Tuff is also low maintenance and energy efficient.

Available in 2' and 4' lengths, this fixture is suitable for applications in petrochemical facilities, marine vessels, drilling rigs, loading docks, and mining tunnels, and oil and gas refineries.

### SPECIFICATION

POWER	: 40W/ 80W
VOLTAGE / FREQUENCY	: 100-277V AC / 347-480V AC 50/60Hz
POWER FACTOR	: >0.90
THD	: <20%
L70	: 140,000 Hours@144°F
SURGE PROTECTION	: 6KV
LUMEN OUTPUT	: 4425/9160Lm
LUMEN EFFICIENCY	: Up to 116Lm/W
BEAM ANGLE	: 60° /110° /T2
CCT	: 3000K/4000K/5000K
COLOUR RENDERING INDEX	: Ra>70
AMBIENT TEMPERATURE	: @-40°F ~ +140°F (-40°C ~ +60°C)
T-CODE RATING	: CID1 - T6 CID2 - T3C
FINISH	: Thermoset Powdercoat
HARDWARE	: Stainless Steel 316
CONNECTIONS	: 3/4" NPT
DIMMING	: 0-10V dimming
MOUNTING OPTIONS	: Pendant, Yoke Bracket, Pipe, Chain
WEIGHT	: 16.3Lb/7.4Kg; 23.8Lb/10.8Kg
DIMENSIONS (LxWxH)	: 40W: 21.4x4.3x7.3in (544x108x185 mm) 80W: 43.3x4.3x7.3in (1100x108x185 mm)
WARRANTY	: LEDs: 10 Years Driver: 7 Years



### SCAN FOR LATEST PRODUCT INFO

### RATINGS & CERTIFICATIONS

- > Class I Division 1 Group C, D
- > Class I Division 2 Group A, B, C, D



\* Not all product variations listed on this page are DLC qualified. Visit [www.designlights.org/search](http://www.designlights.org/search) to confirm qualification.

### FEATURES

- > Best-in-class system efficacy - Up to 120 Lm / W
- > Universal Voltage: AC100-277V, AC347-480V (50/60Hz)
- > Wide ambient temp. range from - 40°C to + 60 °C (-40°F ~ + 140°F)
- > Safe and reliable heat transfer - Offering a T-rating of T6 ( CID1 )
- > Instant on/off operation
- > Shock-and vibration-resistant - Durable LEDs with solder-less board connection
- > Copper-free aluminum body and corrosion resistant
- > All exposed fasteners with quality stainless steel
- > Thermal shock and impact resistant

**EXAMPLE:** LNT-40-100-277-5K-110-H1-CG-GRY-PND

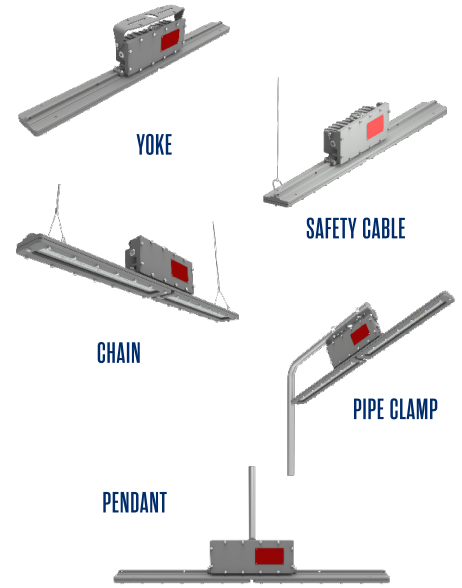
LNT	40	100-277	5K	110	H1	CG	GRY	PND
FIXTURE	WATTAGE 40 - 40W 80 - 80W	VOLTAGE 100-277 347-480	CCT 5K - 5000K 4K - 4000K 3K - 3000K	BEAM 110 - 110° 60 - 60° * T2 - Type II *	RATING H1- C1D1 / C1D2	LENS CG-Clear Glass DG- Diffuse Glass	COLOR GRY - Grey	MOUNTING PND - Pendant YKE - Yoke **

## ACCESSORIES (ORDERED SEPARATELY)

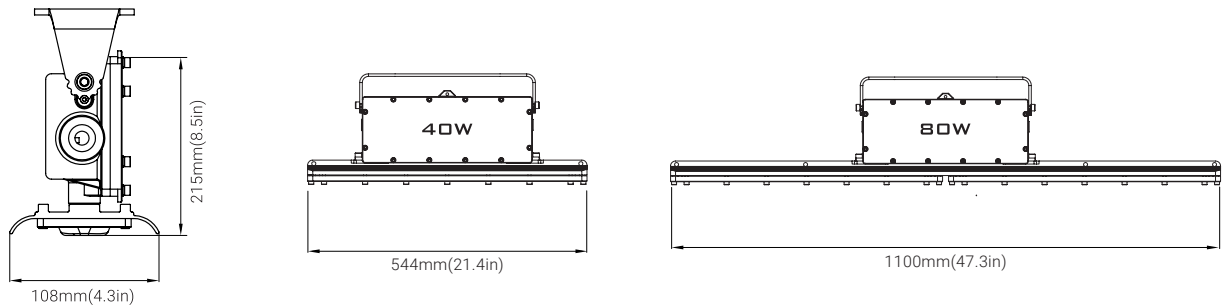
Item	Description	MPN Code
LNT-YOKE	: Yoke Mount, LNT SERIES, SS304, Power Coated Grey RAL7037	309050067
CHAIN01	: Chain Hang Kit, LNR&LNT SERIES, SS304	309050071
CLAMP01	: Pipe Clamp Kit For Round Pole $\Phi$ 1 7/8(48mm), SS304	309050047
CLAMP02	: Pipe Clamp Kit For Round Pole $\Phi$ 2 3/8(60mm), SS304	309050046
SFCB02	: Safety Cable Kit, RND &BLM&LNT&LNT EM SERIES, SS304	309050058
SP1	: 10KV Surge Protector 120~277V	309050060
SP1HV	: 10KV Surge Protector 347~480V	309050061

\*Only available with Clear Glass Option

\*\* LNT-YOKE Pre-installed as standard



## DIMENSIONS



## PHOTOMETRICS

