

MODULAR HOT SERIES

70°C HIGHBAY

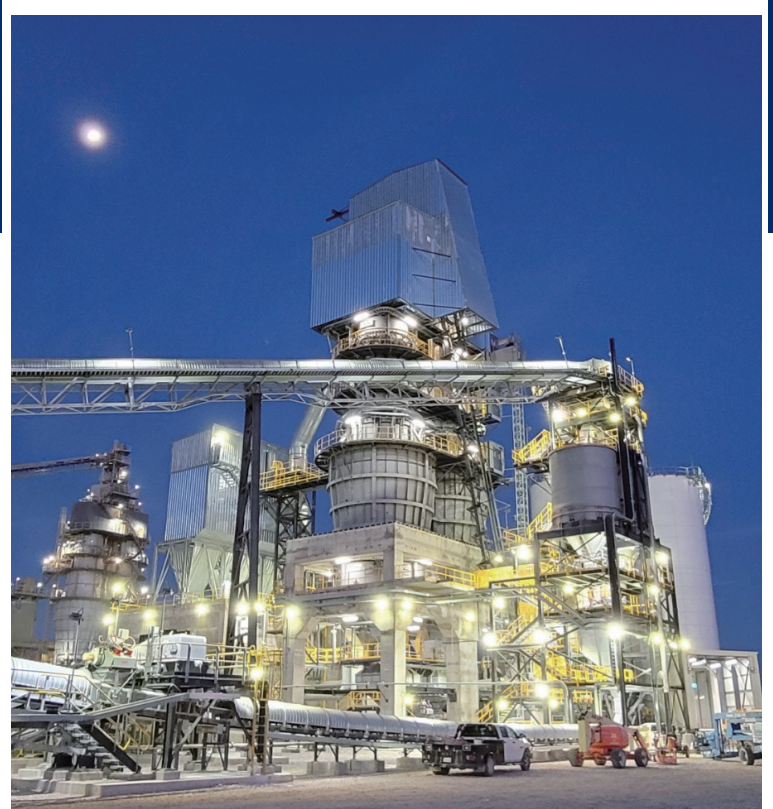


Reliable. Durable. Efficient.
30,000 to 120,000 lumen models

RED SKY
SERIOUSLY SAFE LIGHTS™

PIONEERING INDUSTRIAL ILLUMINATION FOR HARSH & HAZARDOUS CONDITIONS

- A leading manufacturer of premium LED lights for demanding work conditions
- Headquartered in California, products assembled in the USA
- Servicing global clients across 4 continents in metal processing, oil & gas, marine, manufacturing
- Renowned for quality, dependability, client care and uncompromising safety standards



WHY CHOOSE RED SKY

❧ SERIOUSLY SAFE LIGHTS

- Rigorously tested in our professional labs
- Surpassing industry certifications and safety protocols
- Crafted with highest grade components for maximum durability

❧ TOP-NOTCH SERVICES

- Team of experts for seamless support
- Energy audit services, lighting simulation services
- Hassle-free return policy and management

❧ FAST DELIVERY

- Majority of orders delivered within 14 days
- Same day shipping for products in stock
- Real-time order tracking for full transparency

❧ SUSTAINABLE SOLUTIONS

- High luminous efficacy LEDs for energy savings
- Conscious product design
- Recyclable materials for products and packaging



MODULAR HOT SERIES

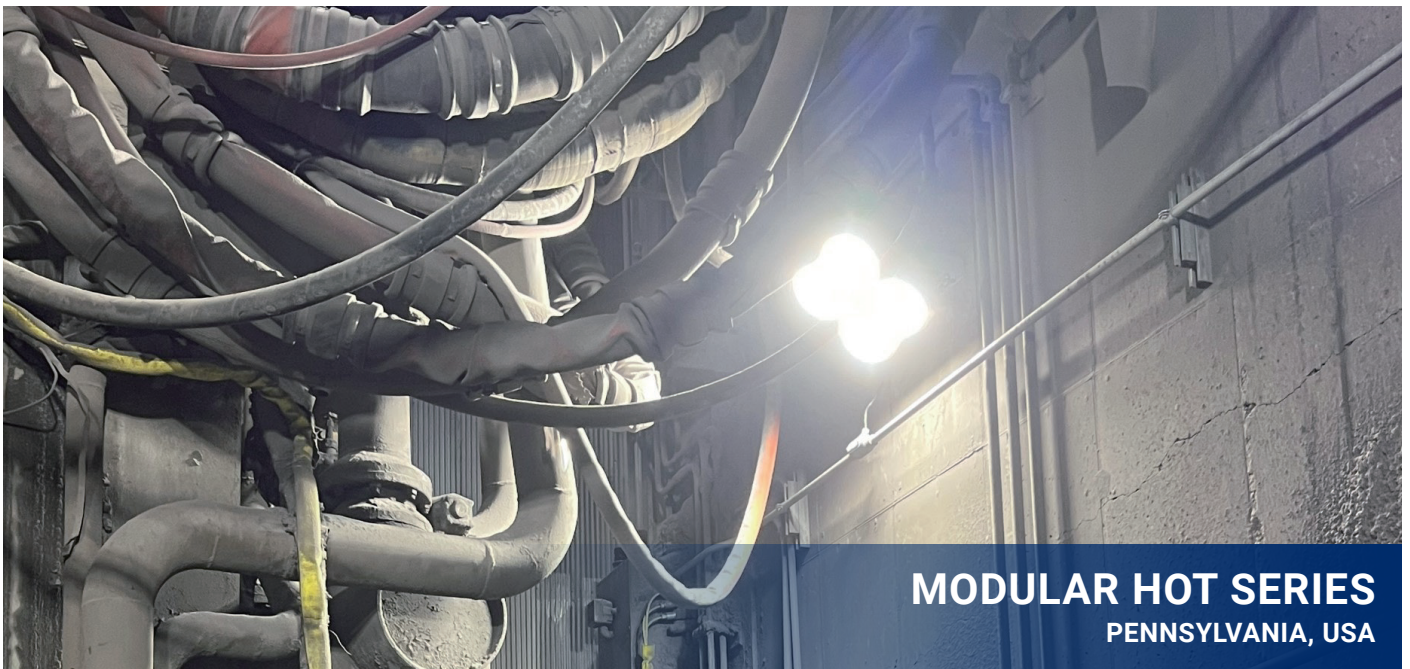


Introducing the Modular Hot Series by Red Sky Lighting, the ultimate solution for high temperature environments. Designed with up to four LED modules, our Modular Hot Series provides unparalleled light output, equivalent to 400-2000W HID/MH lighting (30,500 to 114,500 lumens), while simultaneously reducing maintenance and energy costs by approximately 70%.

With seven different light distribution options, our Modular Hot Series caters to the specific demands of various areas within your facility. Whether it's die casting, metalworks, ironmaking, steel production, power generation facilities, or chemical plants, our lighting system is perfectly suited for the rigorous conditions common to metal manufacturing industries such as steel plants and foundries.

Not only are our lights maintenance-free, but they also boast exceptional longevity, rated to last over 110,000 hours at 158°F. This ensures reliable illumination over the long term, even in the toughest conditions.

At Red Sky Lighting, we stand behind the quality of our products. That's why we offer a standard 5-year warranty. Trust in Red Sky Lighting to provide you with cutting-edge LED lighting solutions that surpass your expectations



MODULAR HOT SERIES

PENNSYLVANIA, USA

FEATURES



The Most Powerful Highbay designed for High Temp. Applications

Four lumen outputs provide 400-2,000W HID/MH equivalent lighting (29,000 to 116,000Lm) that saves 70% percent in maintenance and energy costs

7 Choices of Light Distributions

Long Fixture life

L70 >110,000 Hours@158°F
Maintenance-free and safe operation

RATINGS

UL 1598 Wet Locations
IP66& IP67
IK08 (Glass)/IK10 (PC)

CERTIFICATIONS

UL1598
CSA C22.2 No. 250.0
FCC
DLC

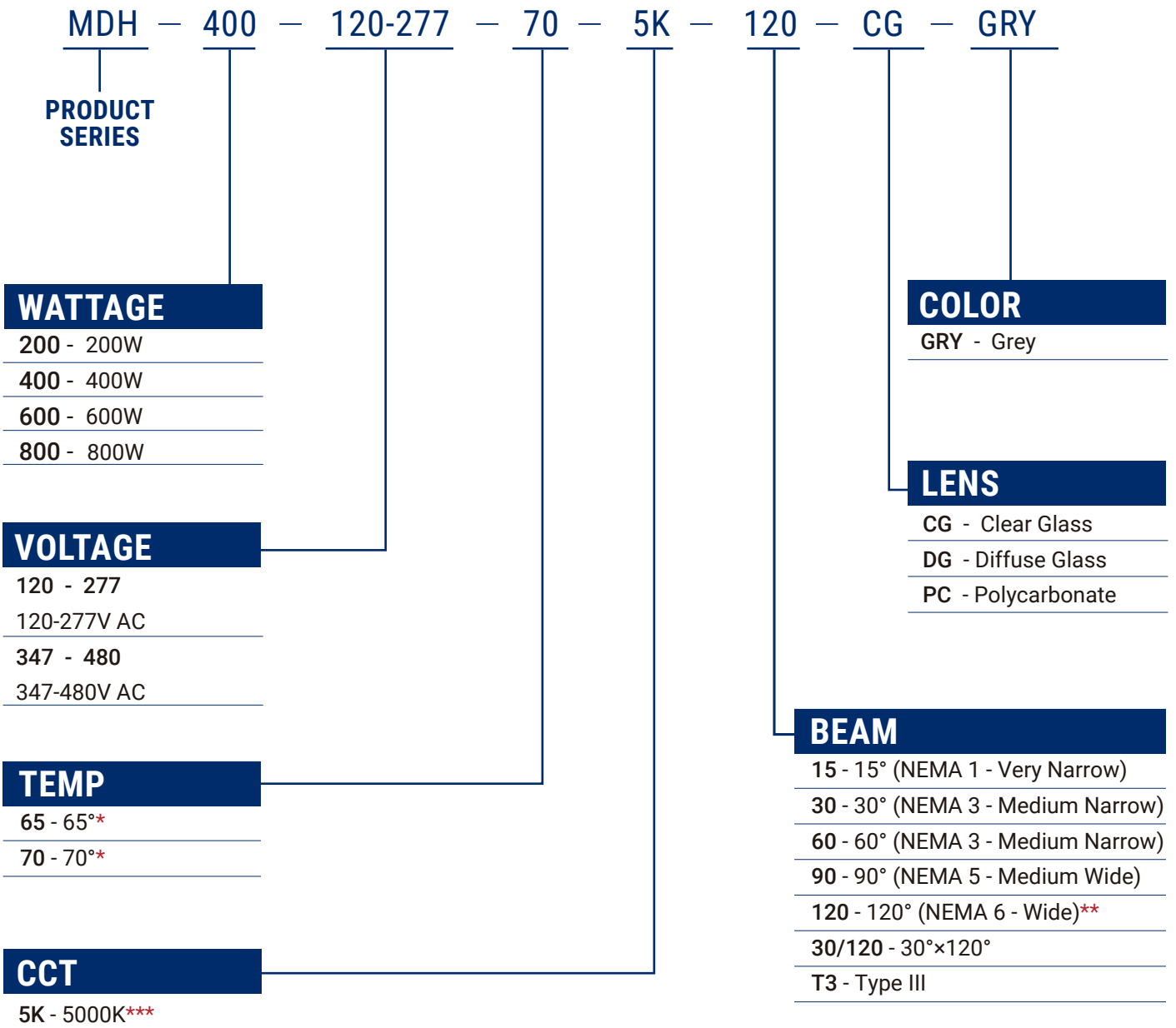
TECHNICAL PARAMETERS

Specification	MDH-200	MDH-400	MDH-600	MDH-800
Electrical Parameters				
Power	200W	400W	600W	800W
Voltage/Frequency	120-277V AC / 347-480V AC, 50/60Hz			
Power Factor	>90%			
THD	<20%			
L70	110,000 Operation Hours@158°F			
Dimming	0-10V			
Surge Protection	6KV			
Warranty	5 years			
Optical Parameters				
Lumen Output*	30,521Lm	57,516Lm	87,595Lm	114,598Lm
Lumen Efficacy*	150Lm/W			
Available Beam Angle	15°/30°/60°/90°/30*120°/T3 (Polycarbonate)/120°(Glass)			
Correlated Color Temperature (CCT)	5000K			
Color Rendering Index (CRI)	Ra>70			
Mechanical Parameters				
Finish	Thermoset Powdercoat			
Hardware	Stainless steel 316			
Lens Material	Tempered Glass or Polycarbonate			
Mounting Options	Yoke			
Product Weight	21lbs/9.5kg	38.8lbs/17.6kg	62.2lbs/28.2kg	80.6lbs/36.6kg
Connection	5ft Power Cord	3ft Power Cord		
Product Dimensions(LxWxH)	16.5x10.6x10.9in (420x270x277mm)	19.5x16.5x10.9in (495x420x277mm)	29.1x16.5x10.9in (740x420x277mm)	38x16.5x10.9in (964x420x277mm)
Environmental Parameters				
Maximum Ambient Temperature	Glass:158°F(70°C), PC: 149°F(65°C)			
Installation	MIN 90°C SUPPLY CONDUCTORS			

* Value calculated based on 5000K and Clear Glass, varies to different spec.

ORDERING INFORMATION

EXAMPLE: MDH-400-120-277-70-5K-120-CG-GRY



* 70°C rating for glass lens options only, Polycarbonate lens rated for 65°C

** Glass lens only available with 120° optic

** PC lens available with all optic options but 120° optic

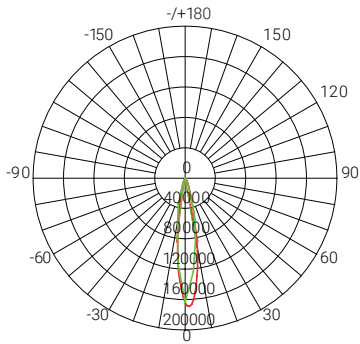
*** For other CCT options, please contact your sales representative.

**** 400W 600W 800W pre-installed with Junction Box and 3ft cord, custom cord length available upon request

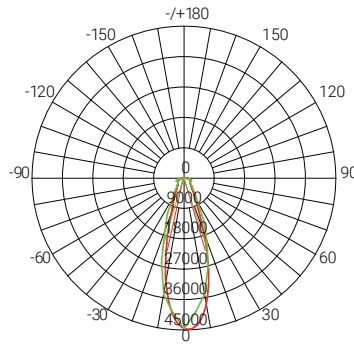
LUMEN TABLE

Part Number	Wattage (W)	Temperature	CCT	Beam	Lens	Lumen Output (Lm)	Efficiency (Lm/W)
Voltage 120-277V AC							
MDH-200-120-277-70-5K-120-CG-GRY	200	70ℳ	5000K	120°	Clear Glass	30,521	159
MDH-200-120-277-65-5K-90-PC-GRY	200	65ℳ	5000K	90°	PC	29,642	153
MDH-200-120-277-65-5K-60-PC-GRY	200	65ℳ	5000K	60°	PC	29,730	153
MDH-200-120-277-65-5K-30-PC-GRY	200	65ℳ	5000K	30°	PC	28,084	145
MDH-200-120-277-65-5K-15-PC-GRY	200	65ℳ	5000K	15°	PC	26,297	143
MDH-200-120-277-65-5K-30/120-PC-GRY	200	65ℳ	5000K	30°x120°	PC	28,252	146
MDH-200-120-277-65-5K-T3-PC-GRY	200	65ℳ	5000K	Type III	PC	25,884	140
MDH-400-120-277-70-5K-120-CG-GRY	400	70ℳ	5000K	120°	Clear Glass	57,516	154
MDH-400-120-277-65-5K-90-PC-GRY	400	65ℳ	5000K	90°	PC	55,026	146
MDH-400-120-277-65-5K-60-PC-GRY	400	65ℳ	5000K	60°	PC	53,340	142
MDH-400-120-277-65-5K-30-PC-GRY	400	65ℳ	5000K	30°	PC	51,490	137
MDH-400-120-277-65-5K-15-PC-GRY	400	65ℳ	5000K	15°	PC	55,228	140
MDH-400-120-277-65-5K-30/120-PC-GRY	400	65ℳ	5000K	30°x120°	PC	53,477	142
MDH-400-120-277-65-5K-T3-PC-GRY	400	65ℳ	5000K	Type III	PC	54,082	137
MDH-600-120-277-70-5K-120-CG-GRY	600	70ℳ	5000K	120°	Clear Glass	87,595	151
MDH-600-120-277-65-5K-90-PC-GRY	600	65ℳ	5000K	90°	PC	83,086	142
MDH-600-120-277-65-5K-60-PC-GRY	600	65ℳ	5000K	60°	PC	84,869	145
MDH-600-120-277-65-5K-30-PC-GRY	600	65ℳ	5000K	30°	PC	79,076	135
MDH-600-120-277-65-5K-15-PC-GRY	600	65ℳ	5000K	15°	PC	82,662	142
MDH-600-120-277-65-5K-30/120-PC-GRY	600	65ℳ	5000K	30°x120°	PC	80,974	138
MDH-600-120-277-65-5K-T3-PC-GRY	600	65ℳ	5000K	Type III	PC	80,800	139
MDH-800-120-277-70-5K-120-CG-GRY	800	70ℳ	5000K	120°	Clear Glass	114,598	148
MDH-800-120-277-65-5K-90-PC-GRY	800	65ℳ	5000K	90°	PC	107,917	139
MDH-800-120-277-65-5K-60-PC-GRY	800	65ℳ	5000K	60°	PC	106,745	137
MDH-800-120-277-65-5K-30-PC-GRY	800	65ℳ	5000K	30°	PC	102,824	133
MDH-800-120-277-65-5K-15-PC-GRY	800	65ℳ	5000K	15°	PC	104,590	135
MDH-800-120-277-65-5K-30/120-PC-GRY	800	65ℳ	5000K	30°x120°	PC	103,525	134
MDH-800-120-277-65-5K-T3-PC-GRY	800	65ℳ	5000K	Type III	PC	102,305	132

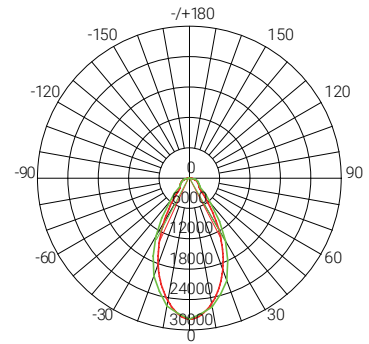
This table only lists part of the model lumen parameters, if you need other model parameters, please contact our sales



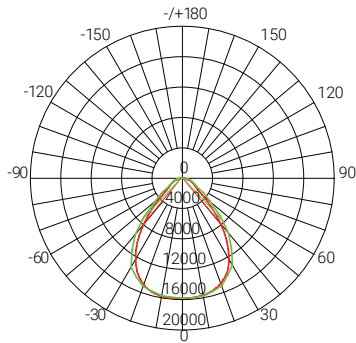
**15°
NEMA 1 - Very Narrow**



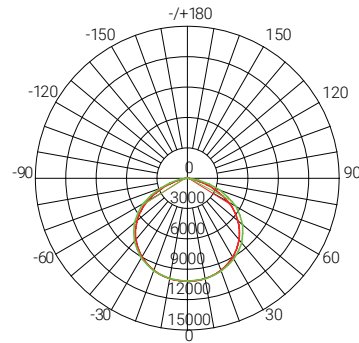
**30°
NEMA 3 - Medium Narrow**



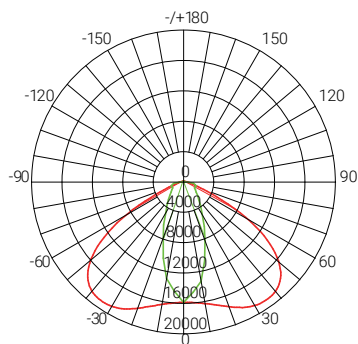
**60°
NEMA 3 - Medium Narrow**



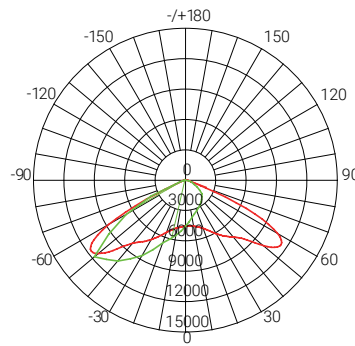
**90°
NEMA 5 - Medium Wide**



**120°
NEMA 6 - Wide**



30°x120°

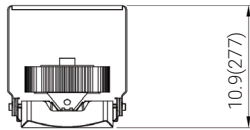
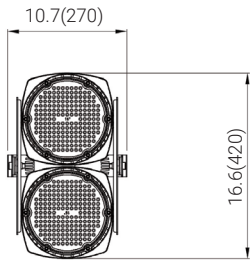


Type III

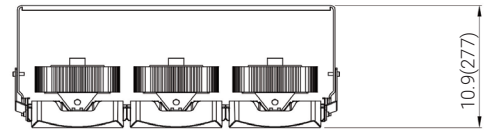
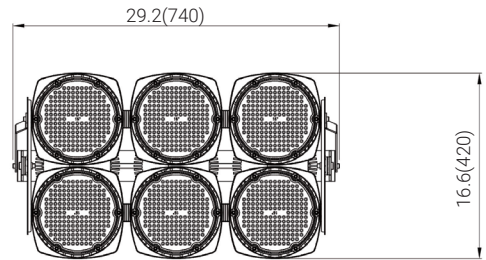
DIMENSIONS

unit: in(mm)

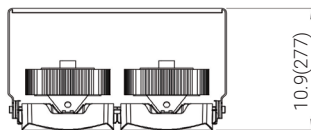
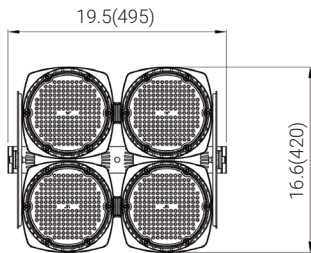
200W



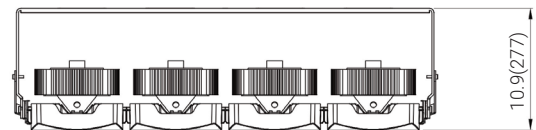
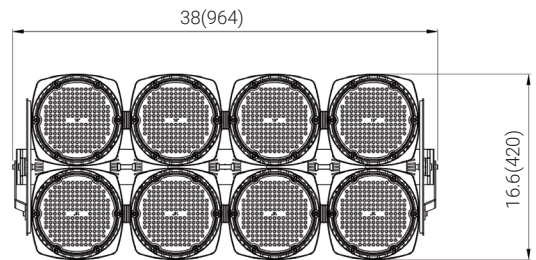
600W



400W



800W





1(262) 456-5002
contact@redskylighting.com
www.redskylighting.com

RED SKY LIGHTING LLC
9370 Pittsburgh Ave Rancho
Cucamonga, CA 91730, USA

Disclaimer

The product information provided is, to the best of Red Sky Lighting's knowledge, accurate as of the date of publication. However, purchasers and end-users of Red Sky Lighting's products should refer to the documentation available on www.redskylighting.com for the most up-to-date and controlling product specifications, installation manuals, sales terms and conditions, and warranty terms. To the extent any contract is formed for the sale of Red Sky Lighting's products, whether directly with Red Sky Lighting or through any third party, the versions of such documentation posted on www.redskylighting.com as of the date of sale shall govern and prevail over any inconsistent information that may be provided elsewhere. In the event of a conflict between the information contained in this document and that available on www.redskylighting.com, the website documentation shall control.