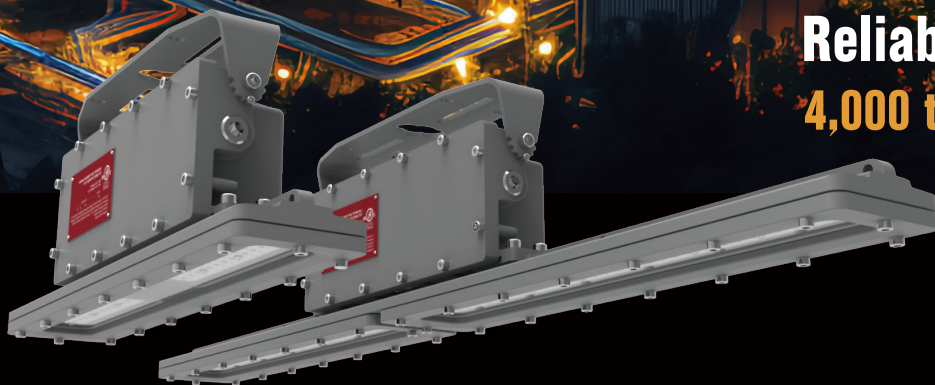


LINEAR TUFF SERIES

LED LIGHTING FOR HARSH AND HAZARDOUS AREAS
AREA & LOWBAY



Reliable. Durable. Efficient.
4,000 to 12,000 lumen models

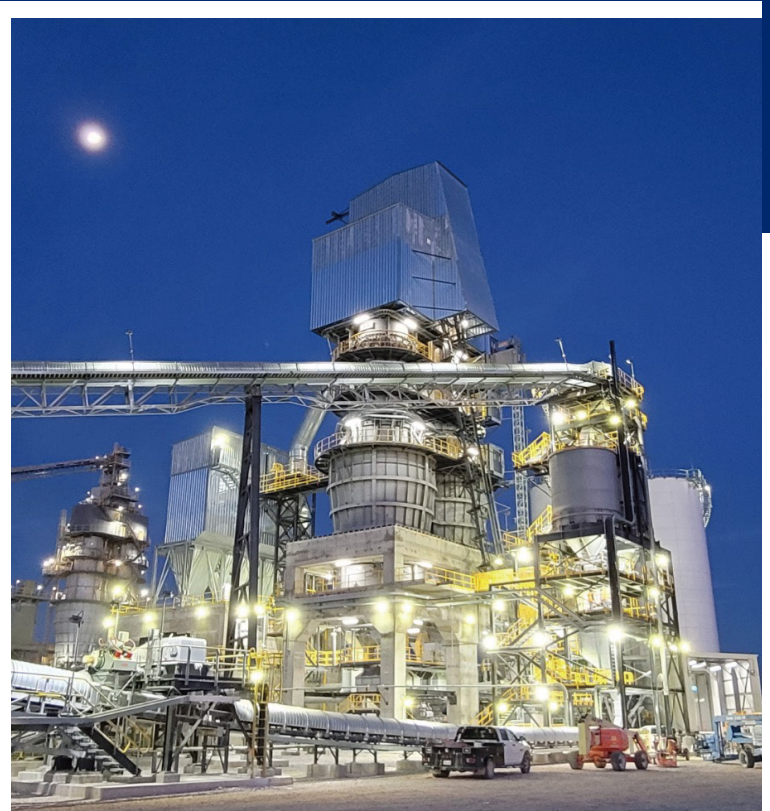


RED SKY
SERIOUSLY SAFE LIGHTS™

ABOUT RED SKY LIGHTING

PIONEERING INDUSTRIAL ILLUMINATION FOR HARSH & HAZARDOUS CONDITIONS

- A leading manufacturer of premium LED lights for demanding work conditions
- Headquartered in California, products assembled in the USA
- Servicing global clients across 4 continents in metal processing, oil & gas, marine, manufacturing
- Renowned for quality, dependability, client care and uncompromising safety standards



WHY CHOOSE RED SKY

❧ SERIOUSLY SAFE LIGHTS

- Rigorously tested in our professional labs
- Surpassing industry certifications and safety protocols
- Crafted with highest grade components for maximum durability

❧ TOP-NOTCH SERVICES

- Team of experts for seamless support
- Energy audit services, lighting simulation services
- Hassle-free return policy and management

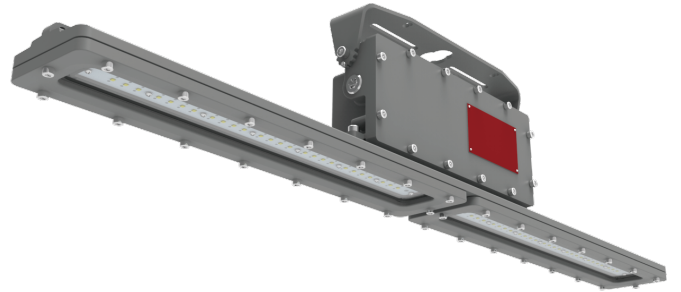
❧ FAST DELIVERY

- Majority of orders delivered within 14 days
- Same day shipping for products in stock
- Real-time order tracking for full transparency

❧ SUSTAINABLE SOLUTIONS

- High luminous efficacy LEDs for energy savings
- Conscious product design
- Recyclable materials for products and packaging

LINEAR TUFF SERIES



The Linear Tuff Series from Red Sky Lighting is a versatile linear LED fixture designed to withstand the most demanding industrial environments. Available in durable 2-foot and 4-foot lengths, it offers high luminous efficacy of up to 150 lumens per watt along with a new retrofit bracket for improved compatibility.

Built with a rugged copper-free aluminum body and frame, the Linear Tuff can handle extreme temperatures from -40°F (-40°C) to $+140^{\circ}\text{F}$ (60°C) along with vibration, water, and dust. Its optimized heat sink and thermal management system ensures safe and reliable heat dissipation for a long operational life, even in hazardous locations classified as Class 1 Division 1.

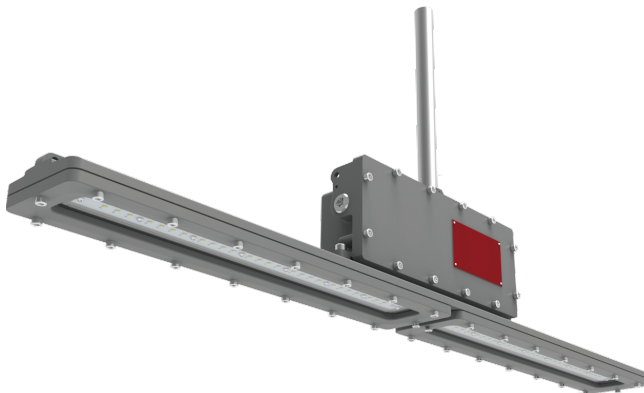
Requiring no maintenance, the Linear Tuff is ideal for low profile lighting applications in petrochemical facilities, oil rigs, mines, and other industrial sites. It offers an extended lifetime of over 147,000 hours at high ambient temperatures of 140°F (60°C). Energy efficient and durable, this LED fixture provides bright, economical illumination for use in the most unforgiving industrial environments. Backed by Red Sky Lighting's industry-leading 10-year warranty, the Linear Tuff Series provides exceptional performance, advanced safety, and unmatched durability for hazardous industrial environments.





LINEAR TUFF SERIES
MASSACHUSETTS, USA

FEATURES



Rugged Construction

Heat sink designed to perform in high ambient temperatures up to +140°F and as low as -40°F.
Built to withstand extreme temperatures, vibration, water and dust.
Copper-free aluminum body and frame for corrosion resistant

Thermal Management

Safe and reliable heat transfer - Offering a T-rating of T6 (CID1)

Long Fixture Life

L70 >147,000 Hours@140°F
Maintenance-free and safe operation

RATINGS

Class I Division 1, Groups C, D	UL 1598A Marine Outside Type
Class I Division 2, Groups A, B, C, D	(Salt Water)
Class I, Zone 1, Group IIB	IP66
UL 1598 Wet Locations	IK07
	Salt Spray 720 hrs (ISO 9227)

CERTIFICATIONS

UL844
UL1598
UL1598A
CSA C22.2 NO. 250.0
CSA C22.2 No. 137
DLC (Pending)
FCC Part 15, Subpart B

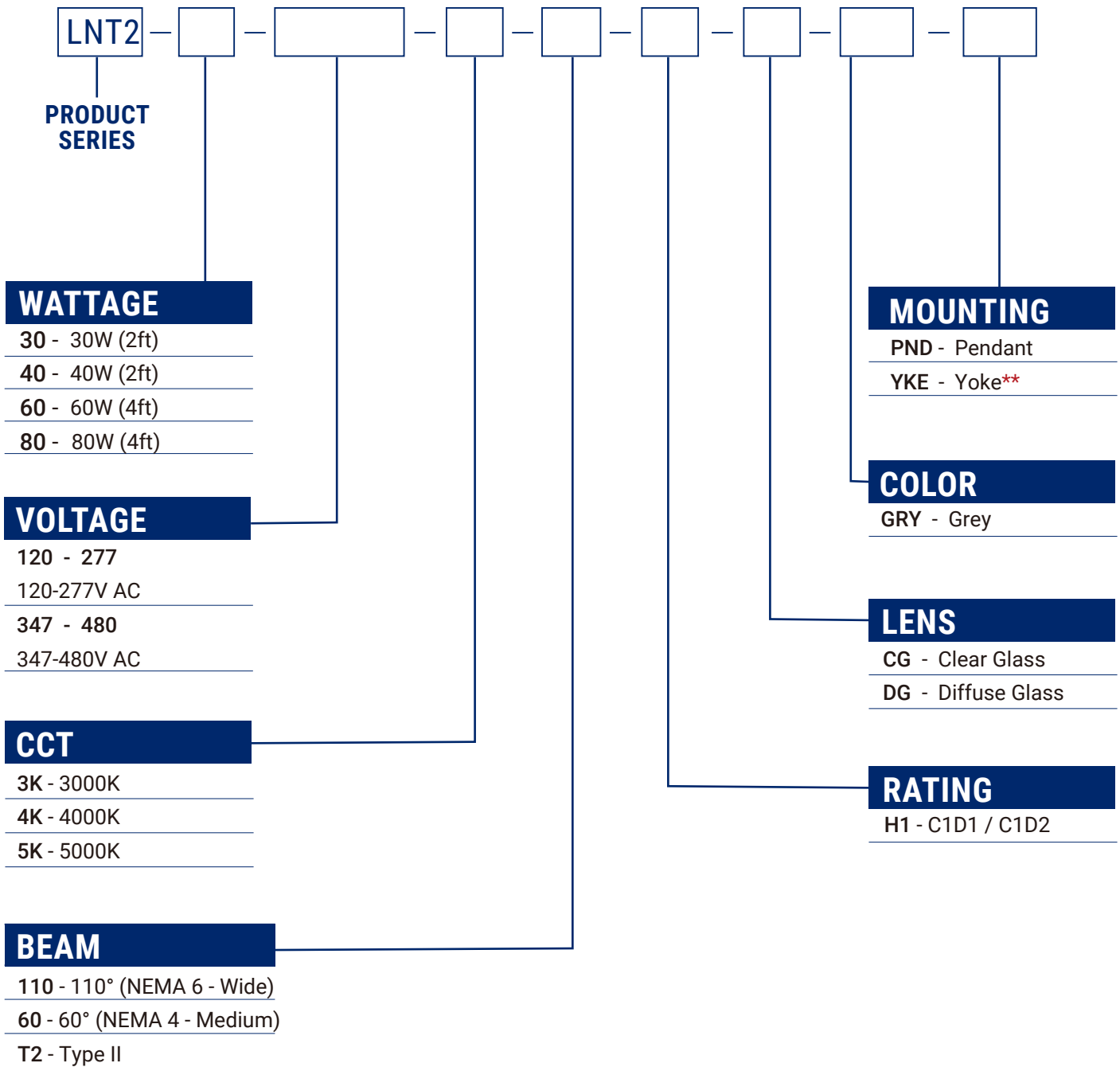
TECHNICAL PARAMETERS

Specification	LNT2-30	LNT2-40	LNT2-60	LNT2-80
Electrical Parameters				
Power	30W	40W	60W	80W
Rated Input Current(100V AC)	0.277A	0.370A	0.555A	0.740A
Rated Input Current(277V AC)	0.120A	0.160A	0.240A	0.320A
Rated Input Current(347V AC)	0.096A	0.128A	0.192A	0.256A
Rated Input Current(480V AC)	0.069A	0.092A	0.138A	0.185A
Voltage/Frequency	100-277V AC, 347-480V AC 50/60Hz			
Power Factor	≥0.90			
THD	<20%			
L70	147,000 hrs@140°F			
Dimming	0-10V, Range 10-100%			
Surge Protection	6KV			
Supply Wire	12-18AWG, Rated 90°C			
Warranty	LEDs: 10 years, Driver: 7 years			
Optical Parameters				
Lumen Output*	4,608Lm	6,192Lm	8,670Lm	10,810Lm
Lumen Efficacy*	150Lm/W			
Available Beam Angle	60° /110° /T2			
Correlated Color Temperature (CCT)	3000K/4000K/5000K			
Color Rendering Index (CRI)	Ra>70			
Mechanical Parameters				
Housing Material	Copper-free (< 0.4%) aluminum			
Hardware	Stainless steel 316			
Lens Material	Tempered Glass			
Mounting Options	Pendant, Yoke, Chain, Pole			
Product Weight	16.3lbs/7.4kg		23.8lbs/10.8kg	
Package Weight	18.4lbs/8.4kg		25.9lbs/11.8kg	
Cable Entry	(3) 3/4" NPT			
Product Dimensions(L×W×H)	21.4×4.3×7.3in (544×108×185mm)		43.3×4.3×7.3in (1100×108×185mm)	
Package Dimensions(L×W×H)	23.6×6.3×10.3in (600×160×260mm)		45.7×6.7×9.9in (1160×170×250mm)	
Environmental Parameters				
Ambient Operating Temperature	-40°F ~ 140°F (-40°C ~ 60°C)			
T-Code Rating	C1D1 - T6, C1D2 - T4A			
EPA wind rating (FT2)	1.62(Yoke)		2.388(Yoke)	

* Value calculated based on 5000K and Clear glass ,varies to different spec.

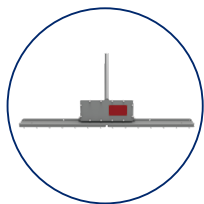
ORDERING INFORMATION

EXAMPLE: LNT2-40-120-277-5K-110-H1-CG-GRY-PND

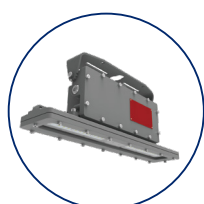


** LNT-YOKE Pre-installed

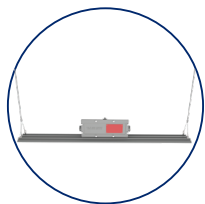
MOUNTING ACCESSORIES



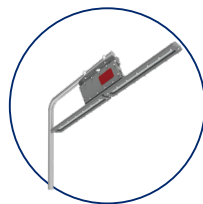
Pendant



Yoke



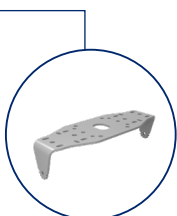
Chain



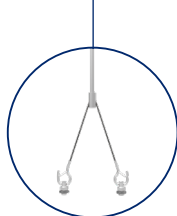
Pole



LNT-YOKE



LNT-YOKE P



CHAIN01



CLAMP01/02

Mounting Method	PN	Description	MPN Code
Yoke	LNT-YOKE	Yoke Mount, LNT SERIES, SS304, Power Coated Grey RAL7037	309050067
	LNT-YOKE P*	Retrofit Yoke Mount, LNT SERIES, SS304, Power Coated Grey RAL7037	309050333
Chain	CHAIN01	Chain Hang Kit, LNR&LNT SERIES, SS304	309050071
Pole	CLAMP01	Pipe Clamp Kit for Round pole Φ 1 7/8(48mm), SS304	309050047
	CLAMP02	Pipe Clamp Kit for Round pole Φ 2 3/8(60mm), SS304	309050046

* Retrofit Bracket Compatibility Chart

For customers trying to retrofit an existing fixture, use the table below as a guide to select the best bracket to suit your need

Manufacturer	Part Number	Retrofit Yoke
Crouse Hinds	DP057MTK	✓
Dialight	LTXW4	✓
	LTXW4LP	✓
AZZ™ Rig-A-Lite™	53050	✓
Appleton	RMLSB	✓

OTHER ACCESSORIES



SFCB02

PN	Description	MPN Code
SFCB02	Safety Cable Kit, RND &BLM&LNT&LNT EM SERIES, SS304	309050058

REPLACEMENT PARTS (ORDERED SEPARATELY)

Part Number	Description	MPN Code
LNT2-30-120-277-Driver	Replacement Driver Kit for LNT2-30-120-277 Fixtures	303010049
LNT2-40-120-277-Driver	Replacement Driver Kit for LNT2-40-120-277 Fixtures	303010050
LNT2-60-120-277-Driver	Replacement Driver Kit for LNT2-60-120-277 Fixtures	303010051
LNT2-80-120-277-Driver	Replacement Driver Kit for LNT2-80-120-277 Fixtures	303010052
LNT2-30-347-480-Driver	Replacement Driver Kit for LNT2-30-347-480 Fixtures	303010053
LNT2-40-347-480-Driver	Replacement Driver Kit for LNT2-40-347-480 Fixtures	303010054
LNT2-60-347-480-Driver	Replacement Driver Kit for LNT2-60-347-480 Fixtures	303010055
LNT2-80-347-480-Driver	Replacement Driver Kit for LNT2-80-347-480 Fixtures	303010056
LNT2-CG	Replacement Clear Glass Lens for LNT2 Fixtures, order 1 for 30/40W, 2 for 60/80W Fixtures	303030014
LNT2-DG	Replacement Diffuse Glass Lens for LNT2 Fixtures, order 1 for 30/40W, 2 for 60/80W Fixtures	303030015

LUMEN TABLE

PN	Wattage (W)	CCT	Beam	Lens	Lumen Output (Lm)	Efficiency (Lm/W)
Voltage 120-277V AC						
LNT2-30-120-277-5K-110-H1-CG-GRY-YKE	30	5000K	110	Clear Glass	4,608	144
LNT2-30-120-277-5K-110-H1-DG-GRY-YKE	30	5000K	110	Diffuse Glass	3,732	117
LNT2-30-120-277-5K-60-H1-CG-GRY-YKE	30	5000K	60	Clear Glass	4,035	133
LNT2-30-120-277-5K-T2-H1-CG-GRY-YKE	30	5000K	T2	Clear Glass	3,727	123
LNT2-40-120-277-5K-110-H1-CG-GRY-YKE	40	5000K	110	Clear Glass	6,192	149
LNT2-40-120-277-5K-110-H1-DG-GRY-YKE	40	5000K	110	Diffuse Glass	4,873	117
LNT2-40-120-277-5K-60-H1-CG-GRY-YKE	40	5000K	60	Clear Glass	5,131	129
LNT2-40-120-277-5K-T2-H1-CG-GRY-YKE	40	5000K	T2	Clear Glass	4,868	123
LNT2-60-120-277-5K-110-H1-CG-GRY-YKE	60	5000K	110	Clear Glass	8,670	147
LNT2-60-120-277-5K-110-H1-DG-GRY-YKE	60	5000K	110	Diffuse Glass	6,895	117
LNT2-60-120-277-5K-60-H1-CG-GRY-YKE	60	5000K	60	Clear Glass	8,262	137
LNT2-60-120-277-5K-T2-H1-CG-GRY-YKE	60	5000K	T2	Clear Glass	7,739	129
LNT2-80-120-277-5K-110-H1-CG-GRY-YKE	80	5000K	110	Clear Glass	10,810	142
LNT2-80-120-277-5K-110-H1-DG-GRY-YKE	80	5000K	110	Diffuse Glass	8,685	114
LNT2-80-120-277-5K-60-H1-CG-GRY-YKE	80	5000K	60	Clear Glass	10,406	133
LNT2-80-120-277-5K-T2-H1-CG-GRY-YKE	80	5000K	T2	Clear Glass	9,575	123
Voltage 347-480V AC						
LNT2-30-347-480-5K-110-H1-CG-GRY-YKE	30	5000K	110	Clear Glass	4,389	136
LNT2-30-347-480-5K-110-H1-DG-GRY-YKE	30	5000K	110	Diffuse Glass	3,560	110
LNT2-30-347-480-5K-60-H1-CG-GRY-YKE	30	5000K	60	Clear Glass	3,847	125
LNT2-30-347-480-5K-T2-H1-CG-GRY-YKE	30	5000K	T2	Clear Glass	3,559	116
LNT2-40-347-480-5K-110-H1-CG-GRY-YKE	40	5000K	110	Clear Glass	6,022	146
LNT2-40-347-480-5K-110-H1-DG-GRY-YKE	40	5000K	110	Diffuse Glass	4,773	116
LNT2-40-347-480-5K-60-H1-CG-GRY-YKE	40	5000K	60	Clear Glass	5,084	130
LNT2-40-347-480-5K-T2-H1-CG-GRY-YKE	40	5000K	T2	Clear Glass	4,713	120
LNT2-60-347-480-5K-110-H1-CG-GRY-YKE	60	5000K	110	Clear Glass	8,669	145
LNT2-60-347-480-5K-110-H1-DG-GRY-YKE	60	5000K	110	Diffuse Glass	6,882	115
LNT2-60-347-480-5K-60-H1-CG-GRY-YKE	60	5000K	60	Clear Glass	8,258	135
LNT2-60-347-480-5K-T2-H1-CG-GRY-YKE	60	5000K	T2	Clear Glass	7,732	127
LNT2-80-347-480-5K-110-H1-CG-GRY-YKE	80	5000K	110	Clear Glass	10,982	143
LNT2-80-347-480-5K-110-H1-DG-GRY-YKE	80	5000K	110	Diffuse Glass	8,816	115
LNT2-80-347-480-5K-60-H1-CG-GRY-YKE	80	5000K	60	Clear Glass	10,505	134
LNT2-80-347-480-5K-T2-H1-CG-GRY-YKE	80	5000K	T2	Clear Glass	9,719	124

For additional information, please contact your sales representative.

A DIRECT RETROFIT FROM HID TO LED

The LNT series LED is easy to retrofit in the same configuration as your existing HID luminaires. For example, a 80-watt Linear Tuff (LNT2-80) delivers virtually the same illumination as its equivalent 250 watt Metal Halide luminaire while providing 80% reduction in energy costs and up to 147,000 hours of continuous operation.




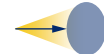
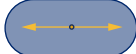



MODELS	Lumen Output (Lm)	MH Equivalent (W)	HPS Equivalent (W)
LNT2-30	4,608	100	100
LNT2-40	6,192	150	200
LNT2-60	8,670	200	250
LNT2-80	10,810	250	310

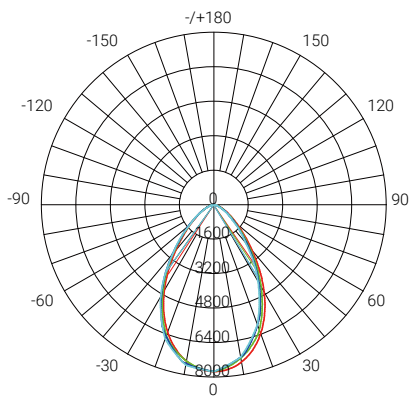
THE RIGHT BEAM PATTERN FOR YOUR APPLICATION

RSL optic package is engineered to deliver maximum footcandles efficiently where you need them, without wasted light or overspill.

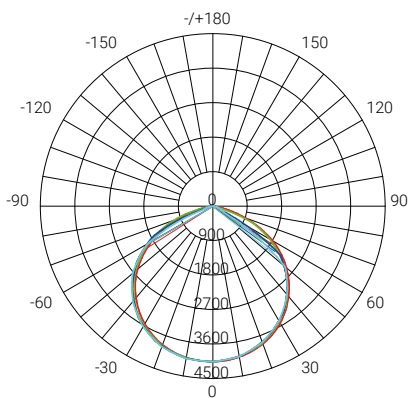
RSL offers complimentary lighting design services for our products using industry-leading AGI32 software, tailored for projects of all sizes in harsh and hazardous locations. We assist you in determining the number of fixtures needed, the types of lights to use, their optimal placement, and how to maximize energy savings—all within budget.

Simply fill out the form (<https://dev.redskylighting.com/lighting-design>) with a few key details, request a layout, and we'll bring your ideas to life within 2-5 business days.

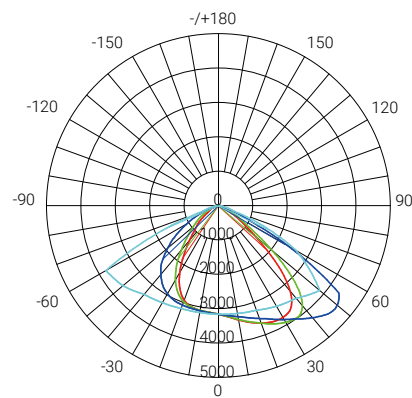
Beam	NEMA/IESNA Type	Beam Description	Beam Projection Distance
30°	NEMA 3	Medium Narrow	
60°	NEMA 4	Medium	
90°	NEMA 5	Medium Wide	
120°	NEMA 6	Wide	
T1	Type I	Asymmetric distributions, well suited for narrow areas, such as Conveyor belts, Aisleways, Catwalks, Loading docks and Tunnels.	
T2	Type II	Asymmetric distributions, well suited for narrow areas, such as roadways, paths and driveways.	
T3	Type III	Asymmetric distributions, well suited for site / area perimeters, wide roadways, and open areas.	
T5	NEMA 7 Type V (Square)	Very Wide: symmetrical pattern with excellent uniformity for large, open areas.	



**60°
NEMA 4 - Medium**



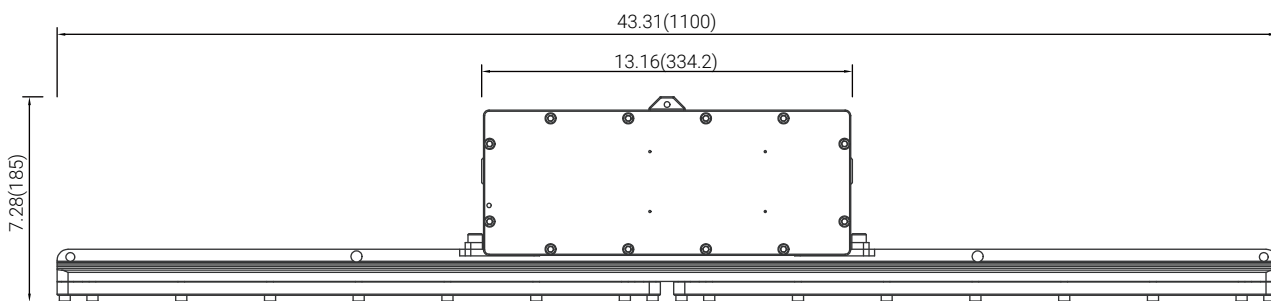
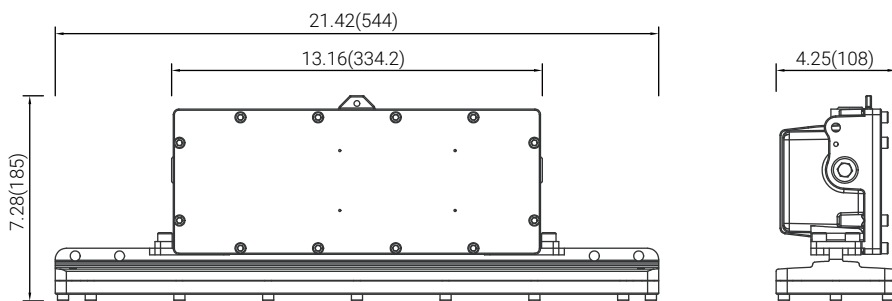
**110°
NEMA 6 - Wide**



Type II

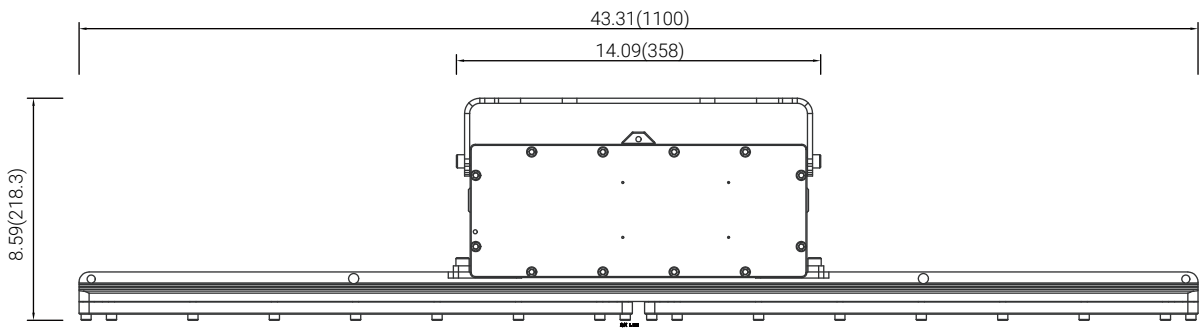
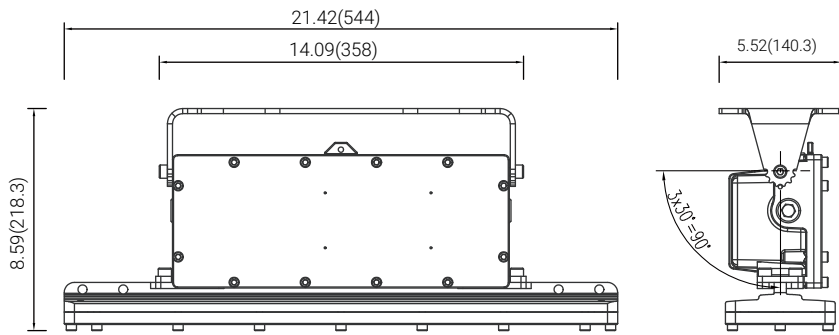
DIMENSIONS

unit: in(mm)

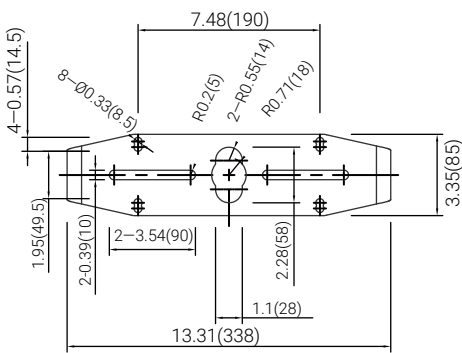


Pendant

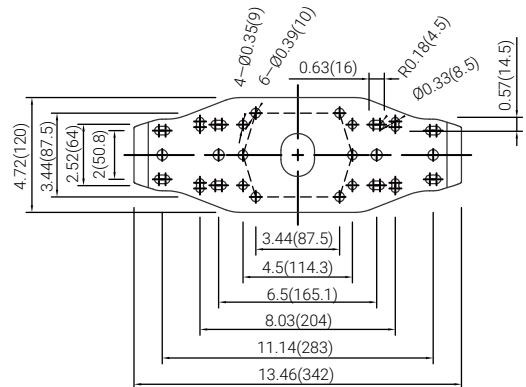
unit: in(mm)



Yoke

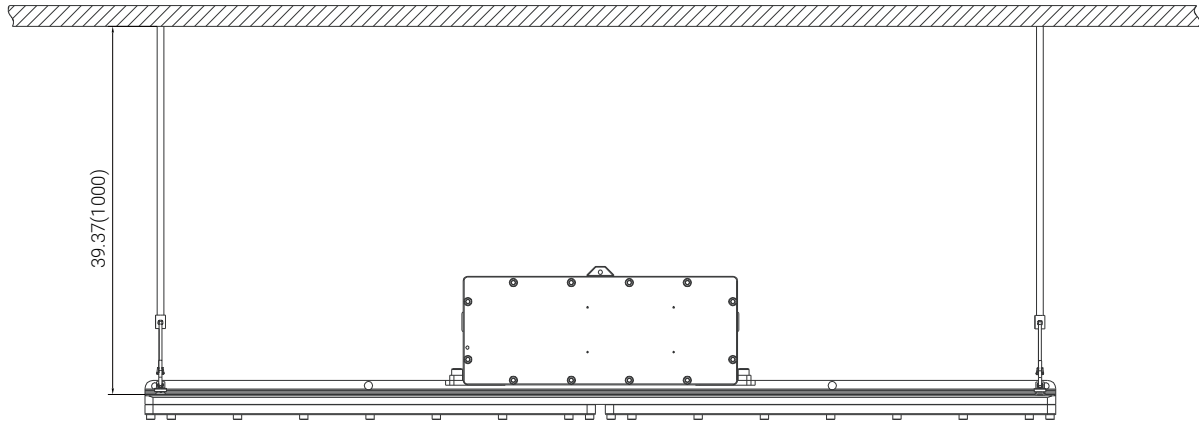


LNT-YOKE

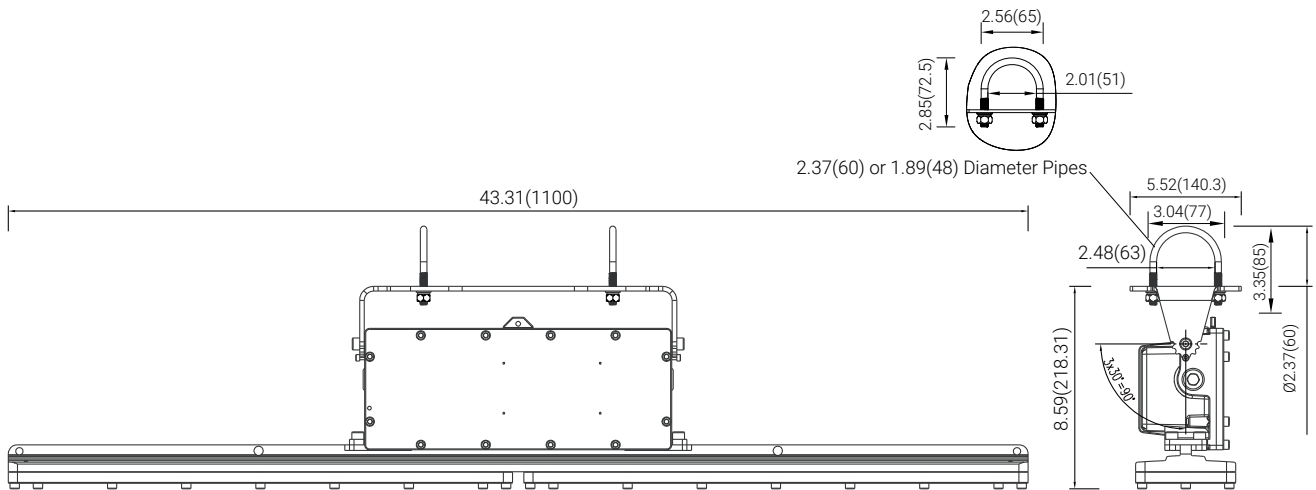


LNT-YOKE P

unit: in(mm)



Chain



Pole

HAZARDOUS LOCATION LIGHTING BASICS

Atmosphere Groups

Temperature Classification

Substance	Hazard Class	Division Groups	Zone Groups	Max. Surface Temperatures	NEC®500 CEC®	NEC®500/IEC-Group II
Acetylene	Class I Flammable Gases	Group A	IIC	450°C(842°F)	T1	T1
Hydrogen		Group B	IIC	300°C(572°F)	T2	
Ethylene		Group C	IIB	280°C(536°F)	T2A	T2
Propane		Group D	IIA	260°C(500°F)	T2B	
Methane		Group D	IIA ²	230°C(446°F)	T2C	
Combustible Metal Dusts	Class II Combustible Dusts	Group E ¹	IIIC ³	215°C(419°F)	T2D	T3
Combustible Carbonaceous Dust		Group F	IIIB ³	200°C(392°F)	T3	
Combustible Dusts not in Group E or F (Flour, Grain, Wood, Plastics, Chemicals)		Group G	IIIB ³	180°C(256°F)	T3A	
Combustible Fibers and Flyings		Class III Fibers and Flyings	Not Applicable	IIIA ³	165°C(329°F)	
				160°C(320°F)	T3C	T4
				135°C(275°F)	T4	
				120°C(248°F)	T4A	
				100°C(212°F)	T5	T5
				85°C(185°F)	T6	T6

Note 1: Group E is applicable to Class II, Division 1 only.
 Note 2: Methane is a Group IIA Gas for non-mining applications.
 Note 3: Group IIIA, IIIB and IIIC have not been adopted by the Canadian Electrical Code.

Classification of Divisions and Zones

Hazard Level	Division Scheme	Zone Scheme	Definitions
Continuous Hazard	Division 1	Zone 0 / Zone 20	A place in which an explosive atmosphere is continually present
Intermittent Hazard		Zone 1 / Zone 21	A place in which an explosive atmosphere is likely to occur in normal operation
Hazard Under Abnormal Conditions	Division 2	Zone 2 / Zone 22	A place in which an explosive atmosphere is not likely to occur in normal operation, but may occur for short periods

IP Codes

1st No.	Solid Objects
0	No protection
1	Objects greater than 50mm
2	Objects greater than 12.5mm
3	Objects greater than 2.5mm
4	Objects greater than 1mm
5	Dust protected
6	Dust proof
2nd No.	Liquids
0	No protection
1	Vertically dripping
2	Dripping up to 15°
3	Limited spraying
4	Splashing from all directions
5	Hosing jets from all directions
6	Strong hosing jets from all directions
7	Temporary immersion
8	Continuous immersion
9	Steam-jet cleaning

IK Ratings

IK Code	Level of Protection Achieved
IK00	Not protected
IK01	Protected against 0.14 joules impact
IK02	Protected against 0.2 joules impact
IK03	Protected against 0.35 joules impact
IK04	Protected against 0.5 joules impact
IK05	Protected against 0.7 joules impact
IK06	Protected against 1 joules impact
IK07	Protected against 2 joules impact
IK08	Protected against 5 joules impact
IK09	Protected against 10 joules impact
IK10	Protected against 20 joules impact

RED SKY LIGHTING LLC
9370 Pittsburgh Ave
Rancho Cucamonga, CA 91730, USA

1(262) 456-5002
contact@redskylighting.com
www.redskylighting.com

RED SKY
SERIOUSLY SAFE LIGHTS™