

# SLIP FITTER JUNCTION BOX

DESIGNED FOR HARSH AND HAZARDOUS AREAS



Products  
Accommodated:

**RND2/BLM H2/LNR2/  
BLK2 H2/MDX**

**RED SKY**  
SERIOUSLY SAFE LIGHTS™

# PIONEERING INDUSTRIAL ILLUMINATION FOR HARSH & HAZARDOUS CONDITIONS

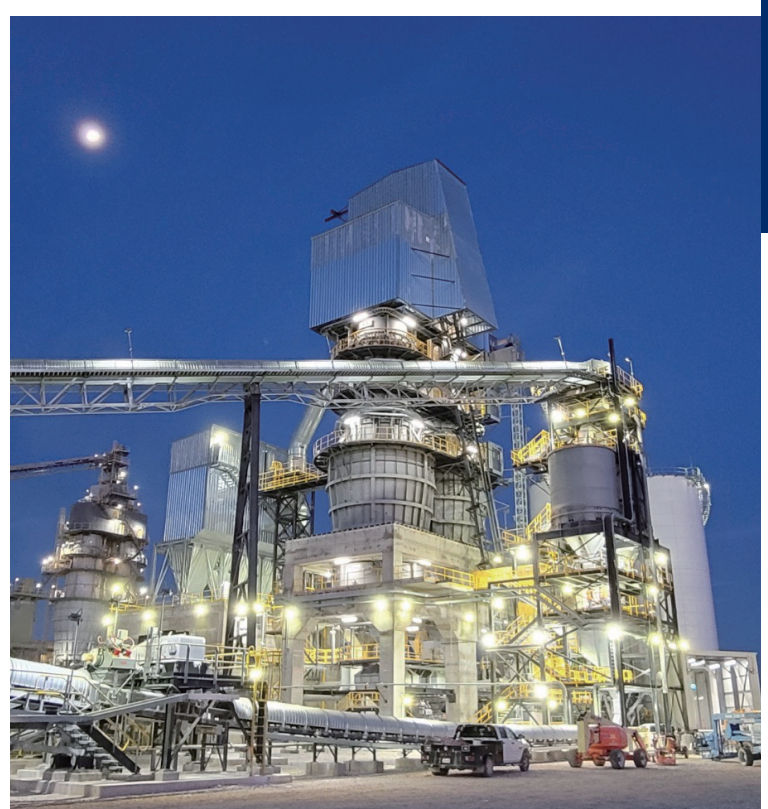
---

A leading manufacturer of premium LED lights for demanding work conditions

Headquartered in California, products assembled in the USA

Servicing global clients across 4 continents in metal processing, oil & gas, marine, manufacturing

Renowned for quality, dependability, client care and uncompromising safety standards



## WHY CHOOSE RED SKY

### ❧ SERIOUSLY SAFE LIGHTS

- Rigorously tested in our professional labs
- Surpassing industry certifications and safety protocols
- Crafted with highest grade components for maximum durability

### ❧ TOP-NOTCH SERVICES

- Team of experts for seamless support
- Energy audit services, lighting simulation services
- Hassle-free return policy and management

### ❧ FAST DELIVERY

- Majority of orders delivered within 14 days
- Same day shipping for products in stock
- Real-time order tracking for full transparency

### ❧ SUSTAINABLE SOLUTIONS

- High luminous efficacy LEDs for energy savings
- Conscious product design
- Recyclable materials for products and packaging

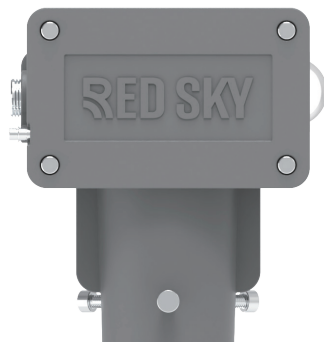


# SLIP FITTER JUNCTION BOX



Junction Box is constructed as a multi-piece assembly consisting of a cast-aluminum copper free housing and front cover and cable gland. Design is to accommodate either Stanchion installation or other optional methods and used on 2" (2 3/8" OD) and 1.5" (1.9"OD) Poles ( NPT-threaded and without ).

## FEATURES



- Weather-resistant finish
- Suitable for wet locations and Marine
- Three built-in WAGO 211 lever connectors (5-pole, UL/CSA, 20-10 AWG) for hassle-free wiring
- Wiring access cover with captive screws and a rear hub with NPT 1/2" threads for daisy-chain wiring.
- Built-in C1D2 Photocell Sensor (optional)
- Ambient range from -45°C to + 65°C ( -49°F to 149°F )
- Resistant to shock and vibration

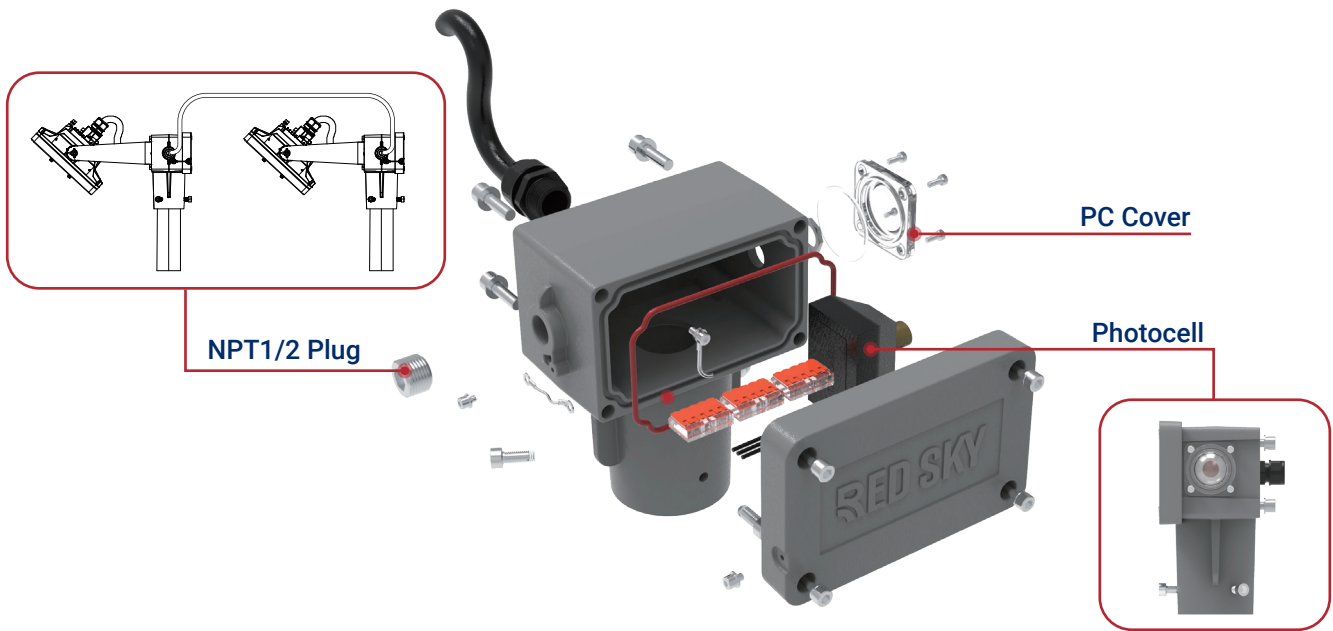
## RATINGS

Class I Division 2, Groups A, B, C, D  
UL 1598 Wet Locations  
UL 1598A Marine Outside Type (Salt Water)  
NEMA 3R  
IP66  
IK10  
Salt Spray 720 hrs (ISO 9227)

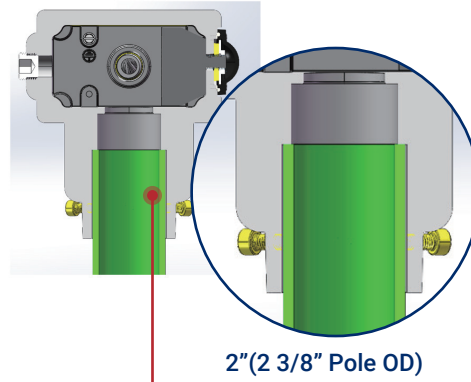
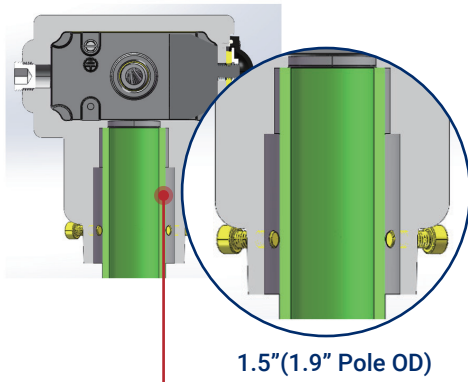
## CERTIFICATIONS

UL844  
UL1598  
UL1598A  
CSA C22.2 NO. 250.0  
CSA C22.2 No. 137

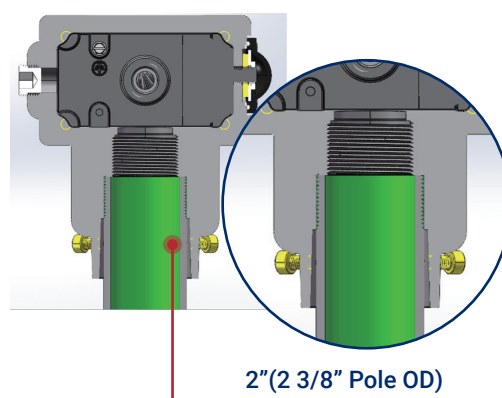
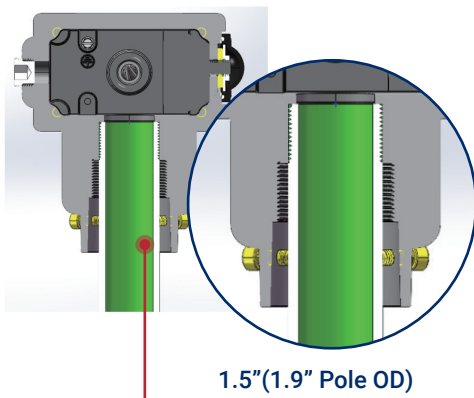
# PRODUCT VIEWS



## Non-threaded Slip-Fit Junction box

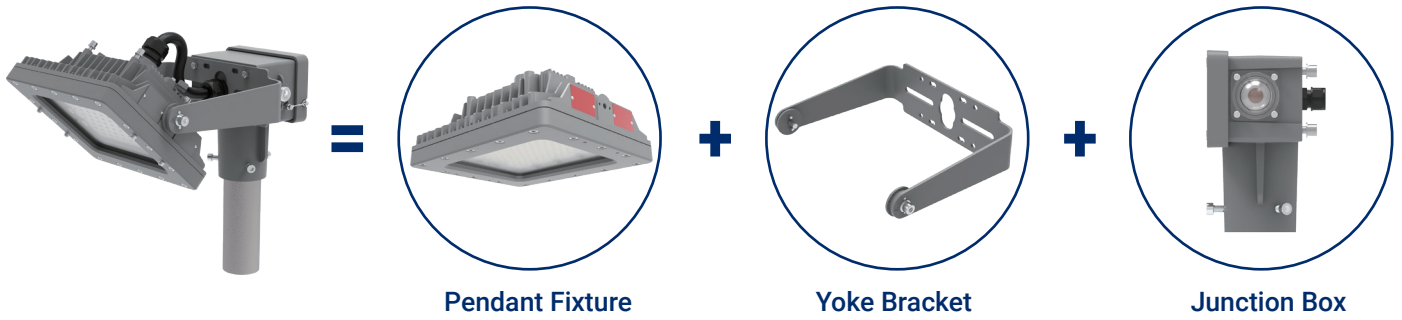


## NPT Threaded Slip-Fit Junction box



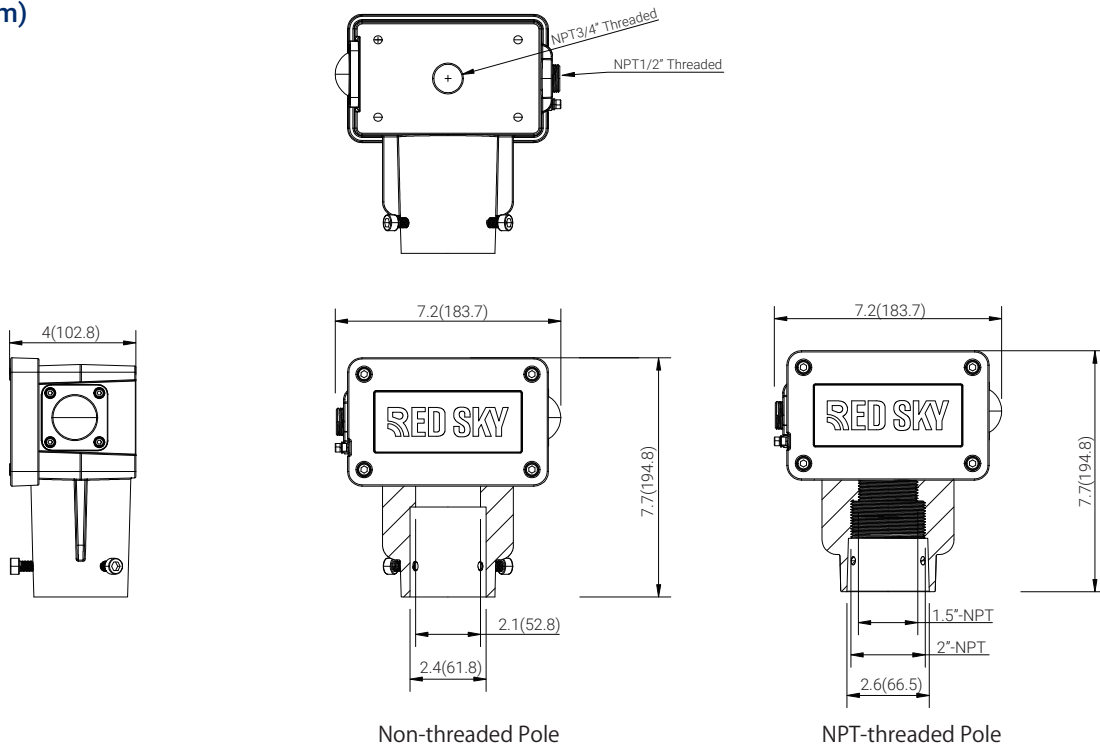


# INSTALLATION EXAMPLE



# DIMENSIONS

unit: in (mm)

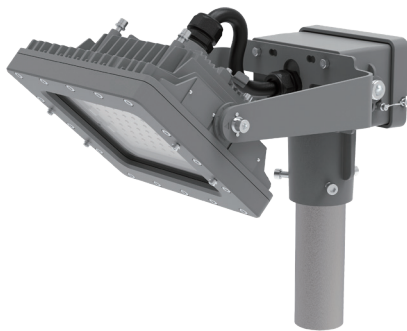
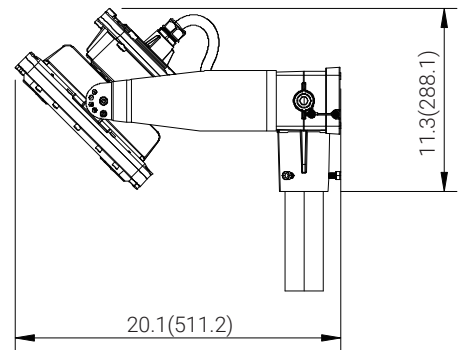
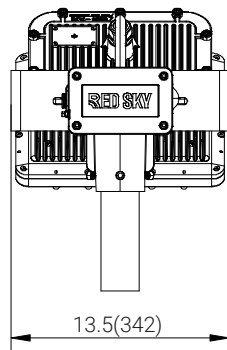


# DIMENSIONS

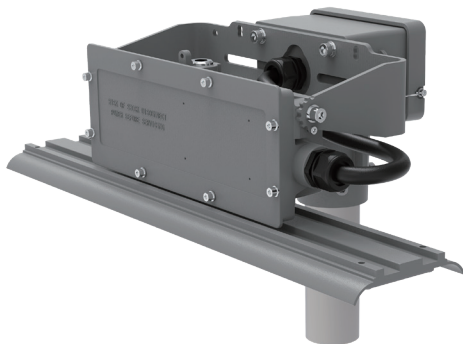
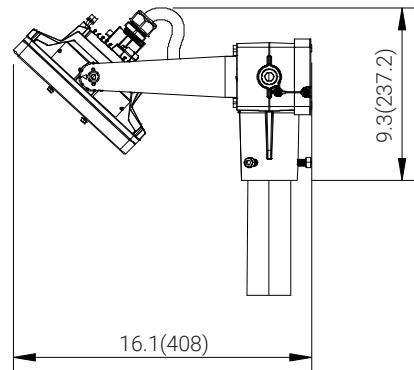
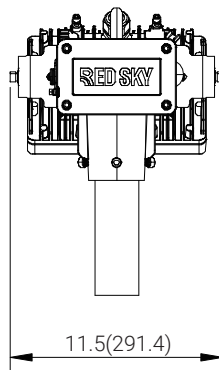
unit: in (mm)



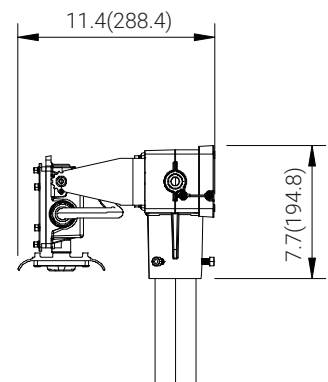
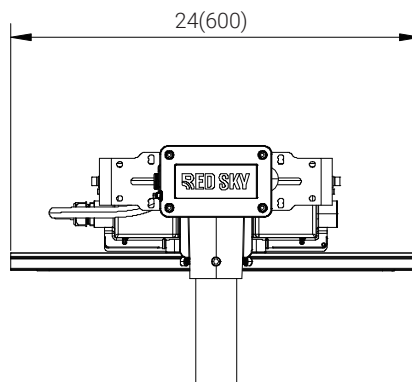
**BLK2 H2**  
EPA(FT2): 1.881



**BLM H2**  
EPA(FT2): 1.134



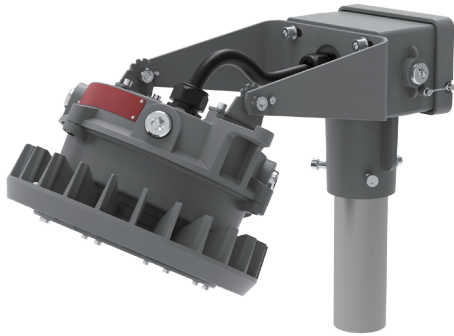
**LNR2**  
EPA(FT2): 1.556(2ft), 2.074(4ft)



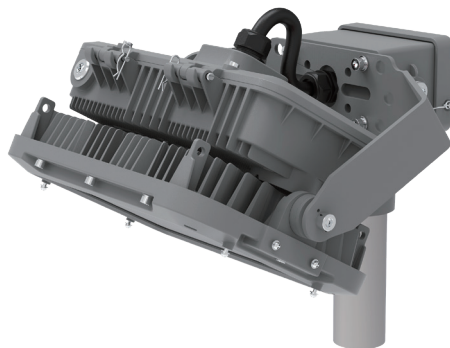
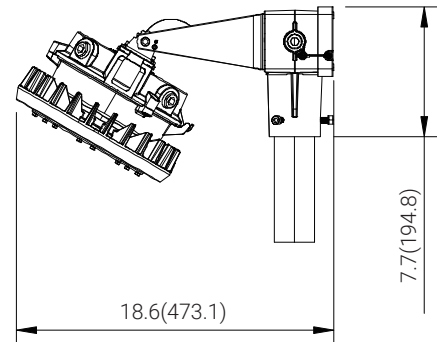
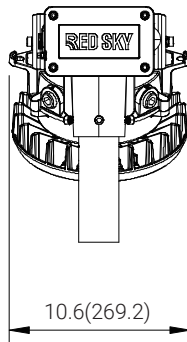


# DIMENSIONS

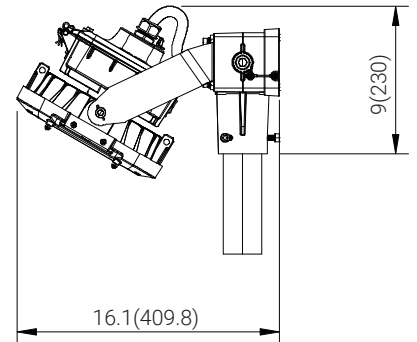
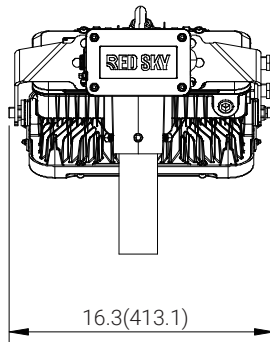
unit: in (mm)



**RND2**  
EPA(FT2): 1.321



**MDX**  
EPA(FT2): 1.888(Single), 2.999(Dual)



# ORDERING INFORMATION

Part Number	Description	MPN Code
JB01	1.5" (1.9" OD) and 2"(2 3/8" OD) NPT Threaded Slip-Fit Junction box	309050379
JB02-P	1.5" (1.9" OD) and 2"(2 3/8" OD) NPT Threaded Slip-Fit Junction box + Sensor (120V)	309050380
JB03-P	1.5" (1.9" OD) and 2"(2 3/8" OD) NPT Threaded Slip-Fit Junction box + Sensor (208-277V)	309050381
JB04	1.5" (1.9" OD) and 2"(2 3/8" OD) Non-threaded Slip-Fit Junction box	309050382
JB05-P	1.5" (1.9" OD) and 2"(2 3/8" OD) Non-threaded Slip-Fit Junction box + Sensor (120V)	309050383
JB06-P	1.5" (1.9" OD) and 2"(2 3/8" OD) Non-threaded Slip-Fit Junction box + Sensor (208-277V)	309050384
JB001-A-01	BLM Custom Bracket Assembly	309050387
JB004-A-01	LNR2 Custom Bracket Assembly	309050389
JB002-A-01	RND2 Custom Bracket Assembly	309050390
JB013-A-01	BLK2 Custom Bracket Assembly	309050388
MDX-A YOKE S	45°Angled YOKE, 0-90° adjustable, SUS304 powder coated, RAL7037, only available with 15L/20L/30L/40L	310010115
MDX-A YOKE D	45°Angled YOKE, 0-90° adjustable, SUS304 powder coated, RAL7037, only available with 50L/60L/70L	310010117



# HAZARDOUS LOCATION LIGHTING BASICS

## Atmosphere Groups

## Temperature Classification

Substance	Hazard Class	Division Groups	Zone Groups	Max. Surface Temperatures	NEC® 500 CEC®	NEC® 500/IEC-Group II
Acetylene	Class I Flammable Gases	Group A	IIC	450°C(842°F)	T1	T1
Hydrogen		Group B	IIC	300°C(572°F)	T2	
Ethylene		Group C	IIB	280°C(536°F)	T2A	T2
Propane		Group D	IIA	260°C(500°F)	T2B	
Methane		Group D	IIA <sup>2</sup>	230°C(446°F)	T2C	
Combustible Metal Dusts	Class II Combustible Dusts	Group E <sup>1</sup>	IIIC <sup>3</sup>	215°C(419°F)	T2D	T3
Combustible Carbonaceous Dust		Group F	IIIB <sup>3</sup>	200°C(392°F)	T3	
Combustible Dusts not in Group E or F (Flour, Grain, Wood, Plastics, Chemicals)		Group G	IIIB <sup>3</sup>	180°C(256°F)	T3A	
				165°C(329°F)	T3B	
Combustible Fibers and Flyings	Class III Fibers and Flyings	Not Applicable	IIIA <sup>3</sup>	160°C(320°F)	T3C	T4
				135°C(275°F)	T4	
				120°C(248°F)	T4A	
				100°C(212°F)	T5	
				85°C(185°F)	T6	T6

Note 1: Group E is applicable to Class II, Division 1 only.  
 Note 2: Methane is a Group IIA Gas for non-mining applications.  
 Note 3: Group IIIA, IIIB and IIIC have not been adopted by the Canadian Electrical Code.

## Classification of Divisions and Zones

Hazard Level	Division Scheme	Zone Scheme	Definitions
Continuous Hazard	Division 1	Zone 0 / Zone 20	A place in which an explosive atmosphere is continually present
Intermittent Hazard		Zone 1 / Zone 21	A place in which an explosive atmosphere is likely to occur in normal operation
Hazard Under Abnormal Conditions	Division 2	Zone 2 / Zone 22	A place in which an explosive atmosphere is not likely to occur in normal operation, but may occur for short periods

## IP Codes

1st No.	Solid Objects
0	No protection
1	Objects greater than 50mm
2	Objects greater than 12.5mm
3	Objects greater than 2.5mm
4	Objects greater than 1mm
5	Dust protected
6	Dust proof
2nd No.	Liquids
0	No protection
1	Vertically dripping
2	Dripping up to 15°
3	Limited spraying
4	Splashing from all directions
5	Hosing jets from all directions
6	Strong hosing jets from all directions
7	Temporary immersion
8	Continuous immersion
9	Steam-jet cleaning

## IK Ratings

IK Code	Level of Protection Achieved
IK00	Not protected
IK01	Protected against 0.14 joules impact
IK02	Protected against 0.2 joules impact
IK03	Protected against 0.35 joules impact
IK04	Protected against 0.5 joules impact
IK05	Protected against 0.7 joules impact
IK06	Protected against 1 joules impact
IK07	Protected against 2 joules impact
IK08	Protected against 5 joules impact
IK09	Protected against 10 joules impact
IK10	Protected against 20 joules impact



**1(262) 456-5002**  
contact@redskylighting.com  
www.redskylighting.com

**RED SKY LIGHTING LLC**  
9370 Pittsburgh Ave Rancho  
Cucamonga, CA 91730, USA

#### **Disclaimer**

The product information provided is, to the best of Red Sky Lighting's knowledge, accurate as of the date of publication. However, purchasers and end-users of Red Sky Lighting's products should refer to the documentation available on [www.redskylighting.com](http://www.redskylighting.com) for the most up-to-date and controlling product specifications, installation manuals, sales terms and conditions, and warranty terms. To the extent any contract is formed for the sale of Red Sky Lighting's products, whether directly with Red Sky Lighting or through any third party, the versions of such documentation posted on [www.redskylighting.com](http://www.redskylighting.com) as of the date of sale shall govern and prevail over any inconsistent information that may be provided elsewhere. In the event of a conflict between the information contained in this document and that available on [www.redskylighting.com](http://www.redskylighting.com), the website documentation shall control.