

ROUND SERIES

LED LIGHTING FOR HARSH AND
HAZARDOUS AREAS HIGHBAY



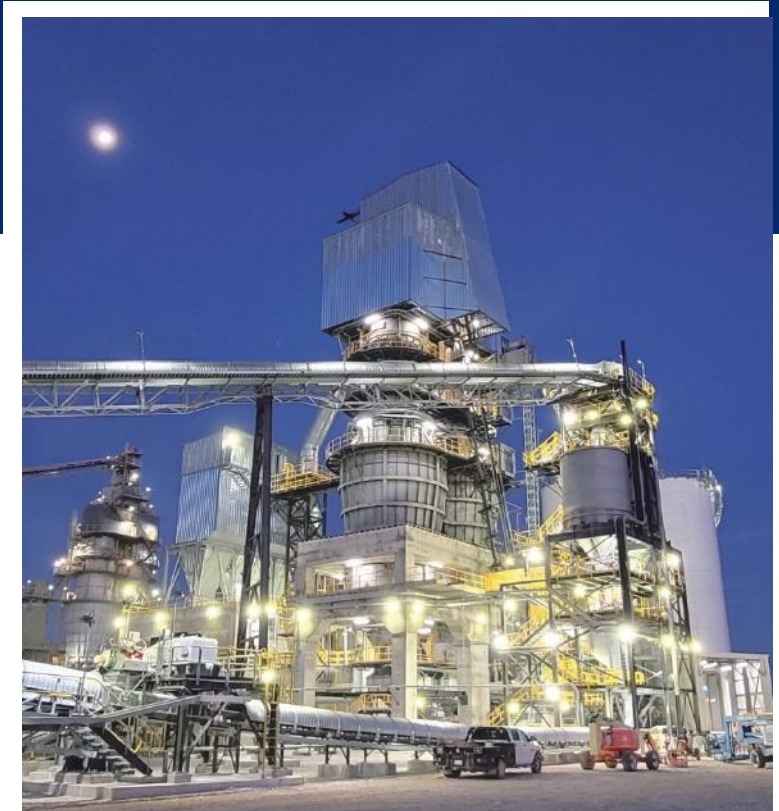
Reliable. Durable. Efficient.
5,000 to 10,000 lumen models

RED SKY
SERIOUSLY SAFE LIGHTS™

ABOUT RED SKY LIGHTING

PIONEERING INDUSTRIAL ILLUMINATION FOR HARSH & HAZARDOUS CONDITIONS

- A leading manufacturer of premium LED lights for demanding work conditions
- Headquartered in California, products assembled in the USA
- Servicing global clients across 4 continents in metal processing, oil & gas, marine, manufacturing
- Renowned for quality, dependability, client care and uncompromising safety standards



WHY CHOOSE RED SKY

❧ SERIOUSLY SAFE LIGHTS

- Rigorously tested in our professional labs
- Surpassing industry certifications and safety protocols
- Crafted with highest grade components for maximum durability

❧ TOP-NOTCH SERVICES

- Team of experts for seamless support
- Energy audit services, lighting simulation services
- Hassle-free return policy and management

❧ FAST DELIVERY

- Majority of orders delivered within 14 days
- Same day shipping for products in stock
- Real-time order tracking for full transparency

❧ SUSTAINABLE SOLUTIONS

- High luminous efficacy LEDs for energy savings
- Conscious product design
- Recyclable materials for products and packaging



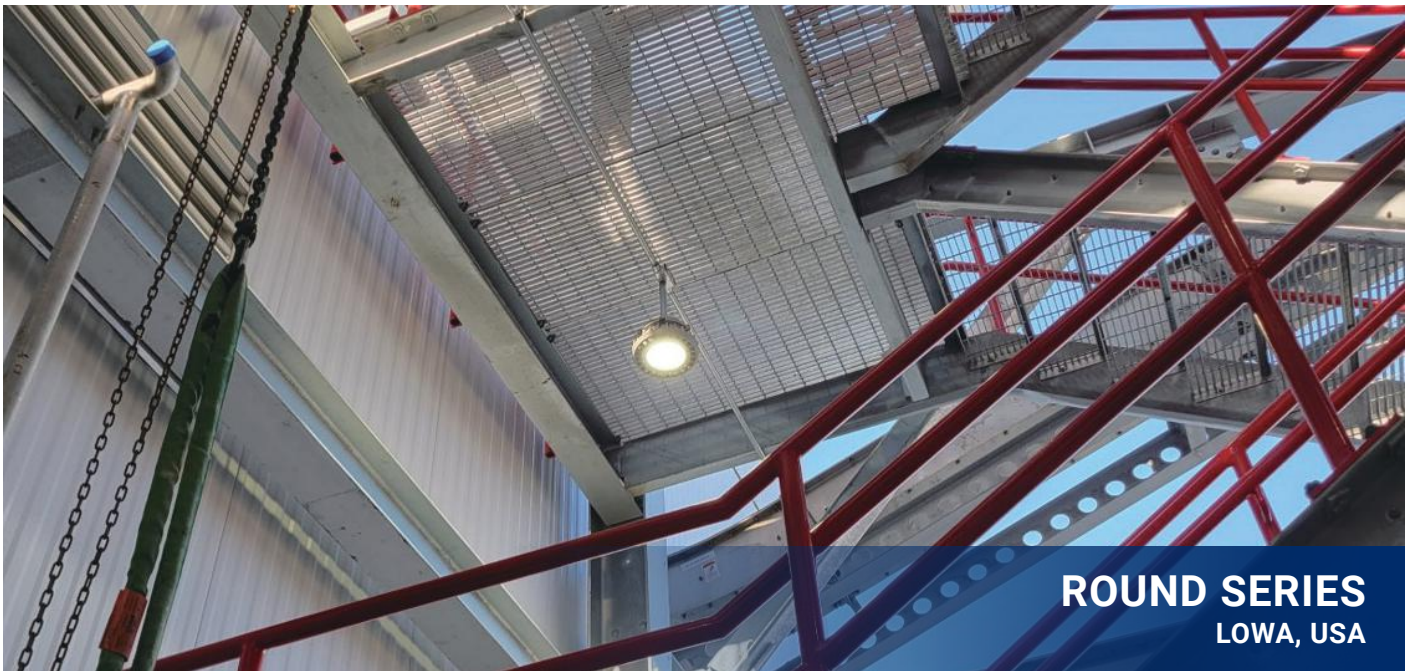
ROUND SERIES



The compact yet robust Round Series lights up even the tightest spaces. Measuring only 9 inches, it delivers a powerful 150 lumens per watt from high-efficiency LEDs. Approved for hazardous locations, the Round Series accommodates demanding conditions in industries like oil and gas, marine, factories and more.

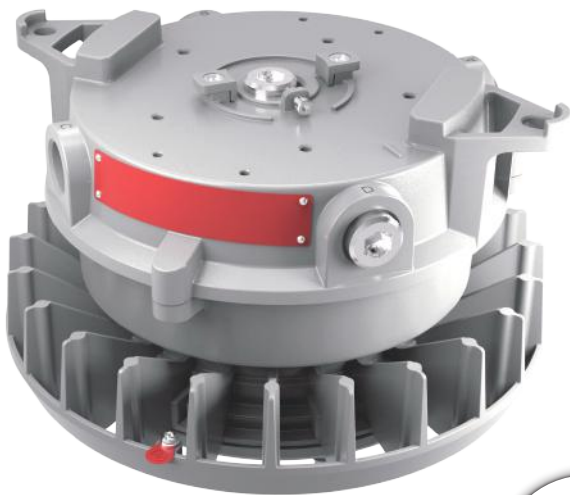
Built to last, it withstands searing heat up to 140°F (60°C) and has a lifetime of over 127,000 hours at this temperature, while its robust design and quality enable operation under temperatures as low as -40°F (-40°C). Its 1-10V dimmability reduces light pollution and slashes energy costs. For optimized coverage, choose from three lens options and seven mount configurations for flexible placement. Pre-installed cords make installation easy with a wide range of cord length options that offer great flexibility. A versatile mount fits multiple 3/4" NPT hubs for compatibility in different scenarios.

Backed by Red Sky Lighting's best-in-class 10-year warranty, it exceeds expectations through long shifts in punishing conditions. Experience powerful, precise lighting where you need it most with the compact yet mighty Round Series.



ROUND SERIES
LOWA, USA

FEATURES



Quick Installation
60 seconds installation time



Compact and Light Weight Design

Flexible Installation
7 different mounting options



RATINGS

Class I Division 2, Groups A, B, C, D	Simultaneous Presence
Class II Division 1 Group E, F, G	UL 1598 Wet Locations
Class II Division 2, Groups F, G	UL 1598A Marine Outside Type
Class III	(Salt Water)
Class I, Zone 2, Group IIC	IP66
Zone 21, Group IIIC	IK08
	Salt Spray 720 hrs (ISO 9227)

CERTIFICATIONS

UL844
UL1598
UL1598A
CSA C22.2 NO. 250.0
CSA C22.2 No. 137
DLC Premium*
FCC Part 15, Subpart B

* Not all product variations listed on this page are DLC qualified. Visit www.designlights.org/search to confirm qualification.

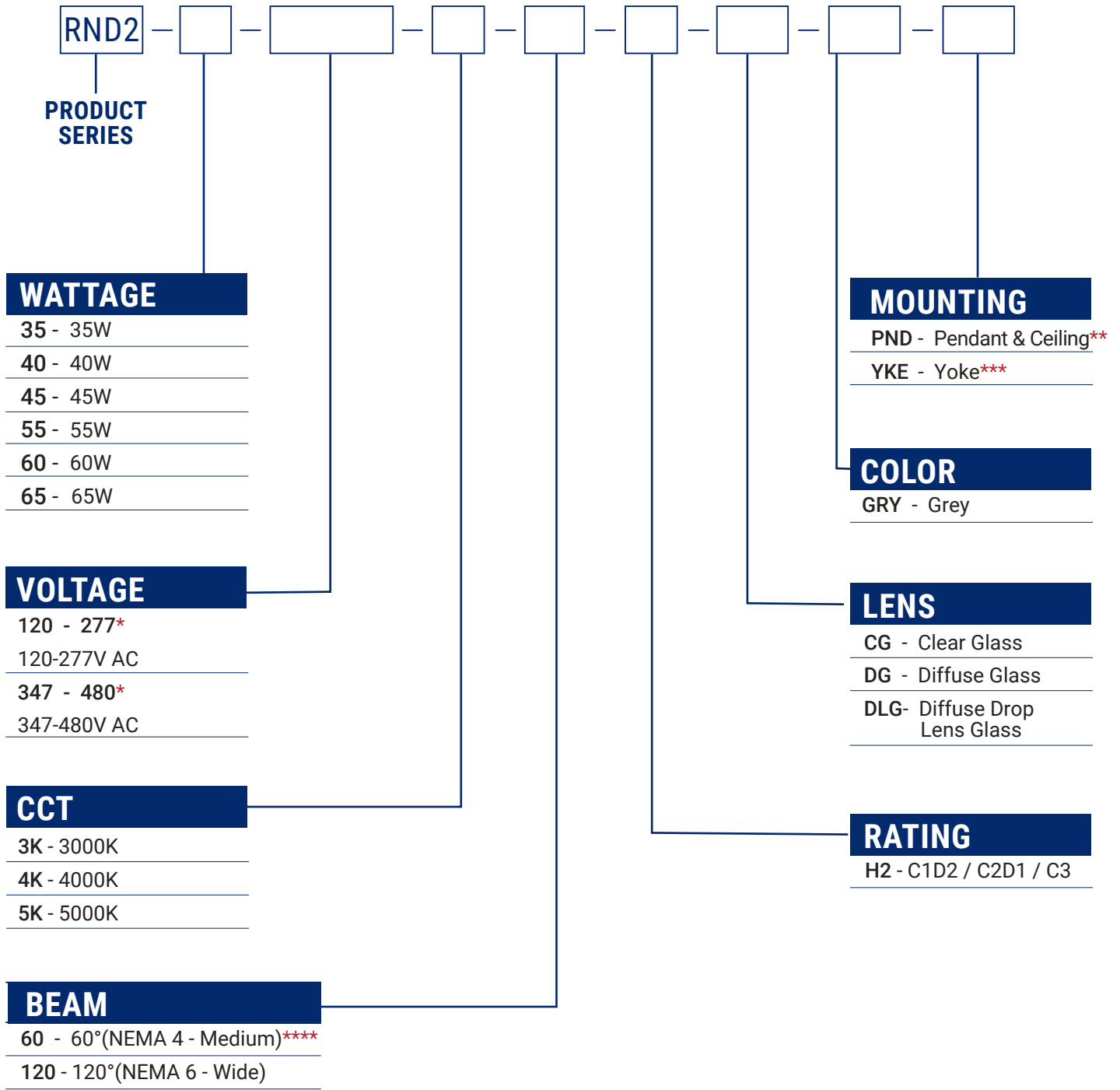
TECHNICAL PARAMETERS

Specification	RND2-35	RND2-40	RND2-45	RND2-55	RND2-60	RND2-65
Electrical Parameters						
Power	35W	40W	45W	55W	60W	65W
Rated Input Current(120V AC)	0.324A	/	0.416A	0.509A	/	0.601A
Rated Input Current(277V AC)	0.140A	/	0.180A	0.220A	/	0.260A
Rated Input Current(347V AC)	/	0.128A	/	/	0.192A	/
Rated Input Current(480V AC)	/	0.092A	/	/	0.138A	/
Voltage(V AC)	120-277	347-480	120-277	120-277	347-480	120-277
Frequency	50/60Hz					
Power Factor	≥0.90					
THD	<20%					
L70	127,000 hrs@140°F					
Dimming	0-10V, Range 10-100%				/	0-10V, Range 10-100%
Surge Protection	6KV			10KV	L\N-FG 4KV L-N 2KV	10KV
Supply Wire	12-18AWG, Rated 90°C					
Warranty	LEDs: 10 years, Driver: 7 years					
Optical Parameters						
Lumen Output*	5,283Lm	6,439Lm	7,307Lm	8,240Lm	8,774Lm	9,524Lm
Lumen Efficacy*	150Lm/W					
Available Beam Angle	60°/ 120°					
Correlated Color Temperature (CCT)	3000K/4000K/5000K					
Color Rendering Index (CRI)	Ra>70					
Mechanical Parameters						
Housing Material	Die-cast aluminum					
Hardware	Stainless steel 316					
Lens Material	Tempered Glass					
Mounting Options	Pendant, Ceiling, Yoke, Wall, Stanchion, Pole					
Product Weight	11.0lbs / 5.0kg					
Package Weight	13.1lbs / 6.0kg					
Cable Entry	(5) 3/4" NPT					
Product Dimensions(LxWxH)	10.6×10.3×7.6in (269.4×262×191.7mm)					
Package Dimensions(LxWxH)	12.7×11.6×8.7in (323×295×220mm)					
Environmental Parameters						
Ambient Operating Temperature	-40°F ~ +140°F (-40°C ~ 60°C)					
T-Code Rating	C1D2 – T4A, C2D1 – T5					
EPA wind rating (FT2)	0.929(Yoke), 1.032(Ceiling), 0.917(Stanchion)					

* Value calculated based on 5000K and Clear glass ,varies to different spec.

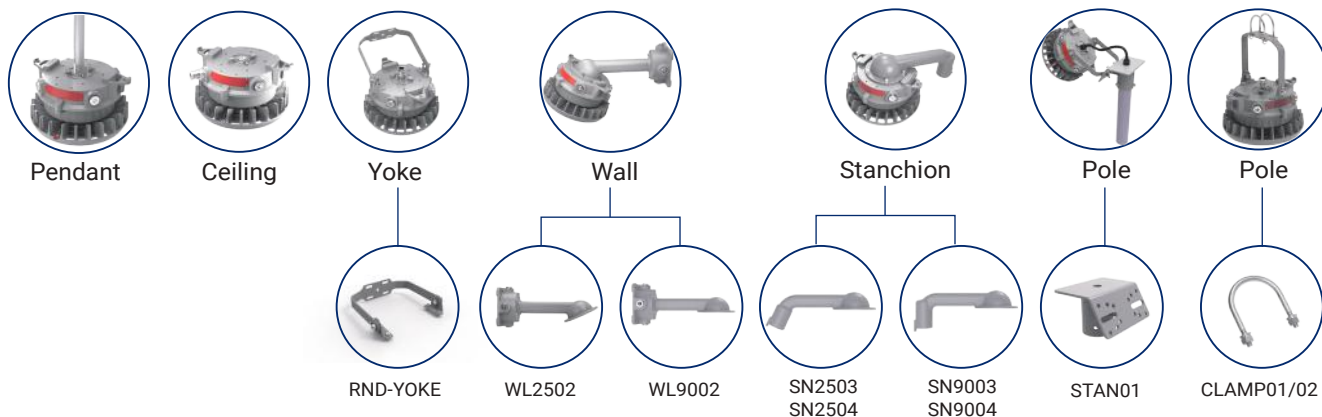
ORDERING INFORMATION

EXAMPLE: RND2-65-120-277-5K-120-H2-CG-GRY-PND



* 120-277 only available for 35W,45W,55W,65W
 * 347-480 only available for 40W, 60W
 ** No accessory required for Pendant & Ceiling Mount
 *** RND-YOKE Pre-installed
 **** Only available with Clear Glass

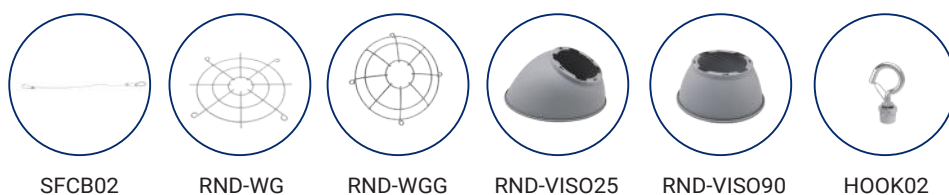
MOUNTING ACCESSORIES



Mounting Method	PN	Description	MPN Code
Yoke	RND-YOKE	YOKE Mount, RND SERIES, SS304, Power Coated Grey RAL7037	309050029
Wall	WL2502	WALL MOUNT 25 Degree, Power Coated Grey RAL7037	309050317
	WL9002	WALL MOUNT 90 Degree, Power Coated Grey RAL7037	309050316
Stanchion	SN2503	Stanchion Mount 25 Degree, NPT1-1/4, Power Coated Grey RAL7037	309050318
	SN2504	Stanchion Mount 25 Degree, NPT1-1/2, Power Coated Grey RAL7037	309050319
	SN9003	Stanchion Mount 90 Degree, NPT1-1/4, Power Coated Grey RAL7037	309050320
	SN9004	Stanchion Mount 90 Degree, NPT1-1/2, Power Coated Grey RAL7037	309050321
Pole	STAN01*	Slip-Fit Stanchion Mount Kit for $\Phi 2"$ (2 3/8" OD) Poles Non-threaded, SUS304, powder coated, RAL7037	309050300
	CLAMP01	Pipe Clamp Kit for Round pole $\Phi 1 7/8$ (48mm), SS304	309050047
	CLAMP02	Pipe Clamp Kit for Round pole $\Phi 2 3/8$ (60mm), SS304	309050046

* Requires A Yoke Mount

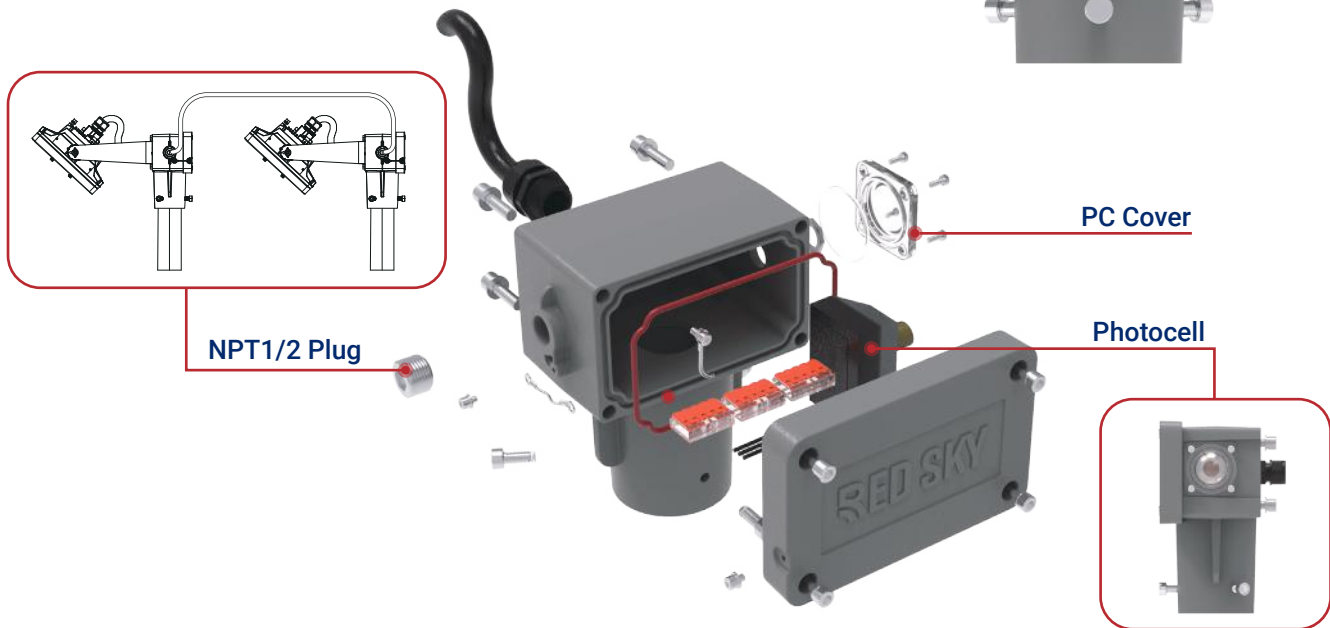
OTHER ACCESSORIES



PN	Description	MPN Code
SFCB02	Safety Cable Kit, RND &BLM&LNT&LNT EM SERIES, SS304	309050058
RND-WG	Wire guard, RND SERIES, SS304	310010109
RND-WGG	Wire guard for Globe lens, RND SERIES, SS304	309050322
RND-VISO25	VISOR 25°, RND SERIES, Aluminium alloy, Power Coated Grey RAL7037	101050009
RND-VISO90	VISOR 90°, RND SERIES, Aluminium alloy, Power Coated Grey RAL7037	101050008
HOOK02	M10 Hook with 3/4" NPT(SUS316)	309050331
GLCO-03	3ft Cord (SOOW 14AWG*3, 105°C, 600V) with cable gland, for C1D2 and non-hazardous only	204020003
GLCO-10	10ft Cord (SOOW 14AWG*3, 105°C, 600V) with cable gland, for C1D2 and non-hazardous only	204020004

SLIP-FIT JUNCTION BOX

The **Junction Box** is a multi-piece assembly featuring a copper-free, cast-aluminum housing, front cover, and cable gland. The design accommodates both stanchion installation and other mounting options. It is compatible with 2" (2 3/8" OD) and 1.5" (1.9" OD) poles, both NPT-threaded and non-threaded.



FEATURES

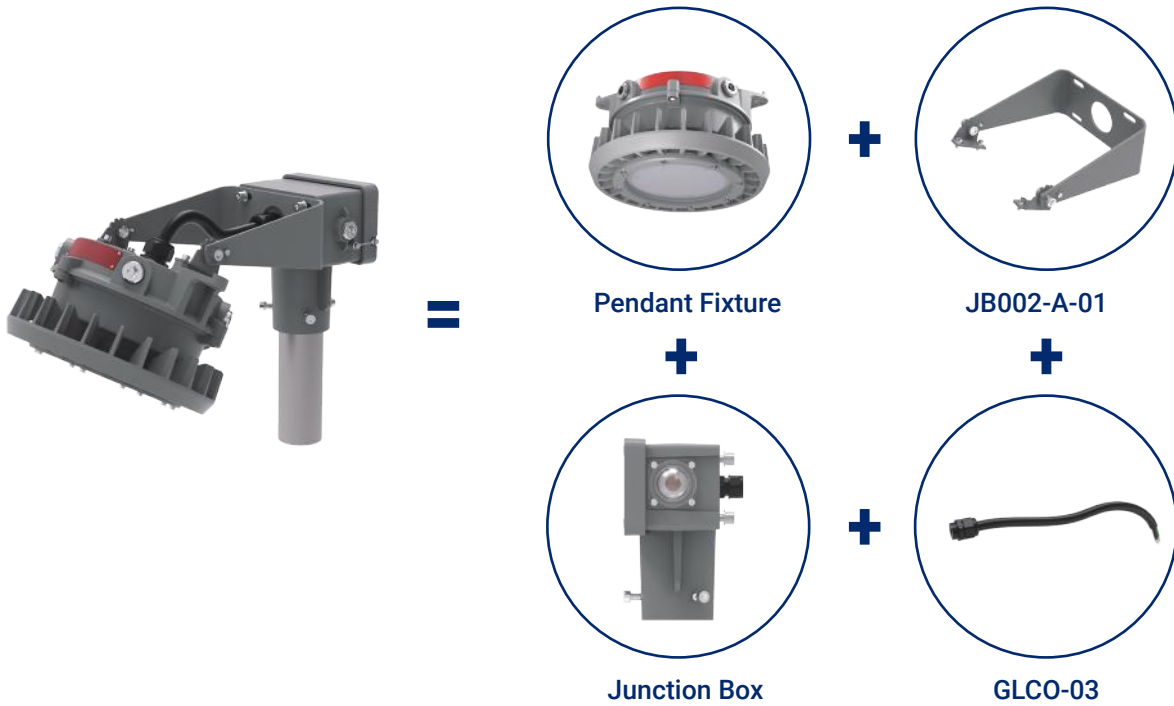
- Weather-resistant finish suitable for wet locations and marine environments
- WAGO 211 lever connectors (5-pole, UL/CSA, 20-10 AWG) for easy, hassle-free wiring
- Wiring access cover with captive screws and a rear hub featuring NPT 1/2" threads for daisy-chain wiring
- Optional C1D2 Photocell Sensor built-in
- Ambient temperature range: -45°C to +65°C (-49°F to 149°F)
- Shock and vibration-resistant design

CERTIFICATIONS & RATINGS

- UL844
- UL1598
- UL1598A
- CSA C22.2 NO. 250.0
- CSA C22.2 No. 137
- Class I Division 2, Groups A, B, C, D
- UL 1598 Wet Locations
- UL 1598A Marine Outside Type (Salt Water)
- NEMA 3R
- IP66
- IK10
- Salt Spray 720 hrs (ISO 9227)

SLIP-FIT JUNCTION BOX

INSTALLATION EXAMPLE



ORDERING INFORMATION

Part Number	Description	MPN Code
JB01	1.5" (1.9" OD) and 2"(2 3/8" OD) NPT-threaded Slip-Fit Junction box	309050379
JB02-P	1.5" (1.9" OD) and 2"(2 3/8" OD) NPT-threaded Slip-Fit Junction box + Sensor (120V)	309050380
JB03-P	1.5" (1.9" OD) and 2"(2 3/8" OD) NPT-threaded Slip-Fit Junction box + Sensor (208-277V)	309050381
JB04	1.5" (1.9" OD) and 2"(2 3/8" OD) Non-threaded Slip-Fit Junction box	309050382
JB05-P	1.5" (1.9" OD) and 2"(2 3/8" OD) Non-threaded Slip-Fit Junction box + Sensor (120V)	309050383
JB06-P	1.5" (1.9" OD) and 2"(2 3/8" OD) Non-threaded Slip-Fit Junction box + Sensor (208-277V)	309050384
JB002-A-01	RND2 Custom Bracket Assembly	309050390
GLCO-03	3ft Cord (SOOW 14AWG*3, 105°C, 600V) with cable gland, for C1D2 and non-hazardous only	204020003

REPLACEMENT PARTS (ORDERED SEPARATELY)

Part Number	Description	MPN Code
RND2-35-120-277-Driver	Replacement Driver Kit for RND2-35-120-277 Fixtures	303010028
RND2-45-120-277-Driver	Replacement Driver Kit for RND2-45-120-277 Fixtures	303010029
RND2-55-120-277-Driver	Replacement Driver Kit for RND2-55-120-277 Fixtures	303010030
RND2-65-120-277-Driver	Replacement Driver Kit for RND2-65-120-277 Fixtures	303010031
RND2-40-347-480-Driver	Replacement Driver Kit for RND2-40-347-480V Fixtures	303010032
RND2-60-347-480-Driver	Replacement Driver Kit for RND2-60-347-480V Fixtures	303010033
RND2-CG	Replacement Clear Glass Lens for RND2 Fixtures	303030004
RND2-DG	Replacement Diffuse Glass Lens for RND2 Fixtures	303030005
RND2-DLG	Replacement Drop Glass Lens for RND2 Fixtures	303030006

LUMEN TABLE

PN	Wattage (W)	CCT	Beam	Lens	Lumen Output (Lm)	Efficiency (Lm/W)
Voltage 120-277V AC						
RND2-35-120-277-5K-120-H2-CG-GRY-YKE	35	5000K	120°	Clear Glass	5,295	160
RND2-35-120-277-5K-120-H2-DG-GRY-YKE	35	5000K	120°	Diffuse Glass	4,755	144
RND2-35-120-277-5K-120-H2-DLG-GRY-YKE	35	5000K	120°	Drop Lens Glass	4,775	144
RND2-35-120-277-5K-60-H2-CG-GRY-YKE	35	5000K	60°	Clear Glass	5,541	167
RND2-45-120-277-5K-120-H2-CG-GRY-YKE	45	5000K	120°	Clear Glass	6,751	159
RND2-45-120-277-5K-120-H2-DG-GRY-YKE	45	5000K	120°	Diffuse Glass	6,070	143
RND2-45-120-277-5K-120-H2-DLG-GRY-YKE	45	5000K	120°	Drop Lens Glass	6,063	142
RND2-45-120-277-5K-60-H2-CG-GRY-YKE	45	5000K	60°	Clear Glass	7,050	166
RND2-55-120-277-5K-120-H2-CG-GRY-YKE	55	5000K	120°	Clear Glass	8,789	162
RND2-55-120-277-5K-120-H2-DG-GRY-YKE	55	5000K	120°	Diffuse Glass	7,907	146
RND2-55-120-277-5K-120-H2-DLG-GRY-YKE	55	5000K	120°	Drop Lens Glass	7,901	146
RND2-55-120-277-5K-60-H2-CG-GRY-YKE	55	5000K	60°	Clear Glass	9,268	171
RND2-65-120-277-5K-120-H2-CG-GRY-YKE	65	5000K	120°	Clear Glass	10,758	159
RND2-65-120-277-5K-120-H2-DG-GRY-YKE	65	5000K	120°	Diffuse Glass	9,635	143
RND2-65-120-277-5K-120-H2-DLG-GRY-YKE	65	5000K	120°	Drop Lens Glass	9,632	143
RND2-65-120-277-5K-60-H2-CG-GRY-YKE	65	5000K	60°	Clear Glass	11,315	167
Voltage 347-480V AC						
RND2-40-347-480-5K-120-H2-CG-GRY-YKE	40	5000K	120°	Clear Glass	6,366	154
RND2-40-347-480-5K-120-H2-DG-GRY-YKE	40	5000K	120°	Diffuse Glass	5,728	139
RND2-40-347-480-5K-120-H2-DLG-GRY-YKE	40	5000K	120°	Drop Lens Glass	5,759	139
RND2-40-347-480-5K-60-H2-CG-GRY-YKE	40	5000K	60°	Clear Glass	6,697	162
RND2-60-347-480-5K-120-H2-CG-GRY-YKE	60	5000K	120°	Clear Glass	10,154	167
RND2-60-347-480-5K-120-H2-DG-GRY-YKE	60	5000K	120°	Diffuse Glass	8,998	148
RND2-60-347-480-5K-120-H2-DLG-GRY-YKE	60	5000K	120°	Drop Lens Glass	9,083	149
RND2-60-347-480-5K-60-H2-CG-GRY-YKE	60	5000K	60°	Clear Glass	10,652	175

For additional information, please contact your sales representative.

A DIRECT RETROFIT FROM HID TO LED

The RND series LED is easy to retrofit in the same configuration as your existing HID luminaires. For example, a 65-watt Round (RND2-65) delivers virtually the same illumination as its equivalent 200 watt Metal Halide luminaire while providing 80% reduction in energy costs and up to 148,000 hours of continuous operation.




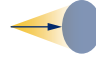
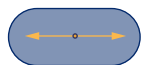



MODELS	Lumen Output (Lm)	MH Equivalent (W)	HPS Equivalent (W)
RND2-35	5,283	150	150
RND2-45	7,307	175	225
RND2-55	8,240	200	225
RND2-65	9,524	200	250

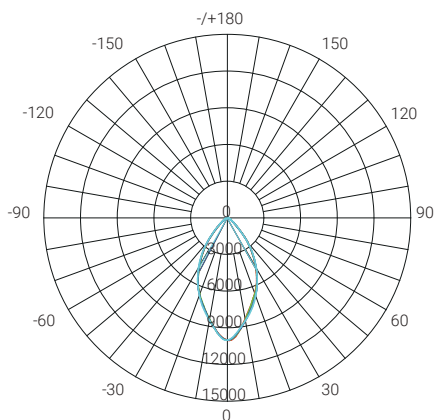
THE RIGHT BEAM PATTERN FOR YOUR APPLICATION

RSL optic package is engineered to deliver maximum footcandles efficiently where you need them, without wasted light or overspill.

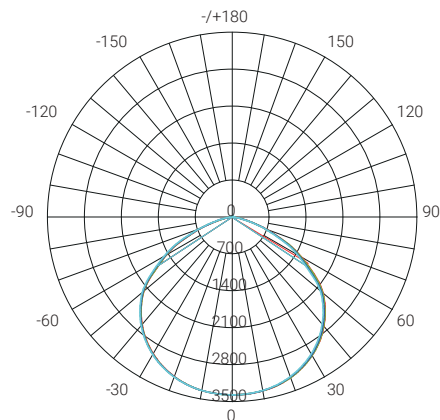
RSL offers complimentary lighting design services for our products using industry-leading AGI32 software, tailored for projects of all sizes in harsh and hazardous locations. We assist you in determining the number of fixtures needed, the types of lights to use, their optimal placement, and how to maximize energy savings—all within budget.

Simply fill out the form (<https://dev.redskylighting.com/lighting-design>) with a few key details, request a layout, and we'll bring your ideas to life within 2-5 business days.

Beam	NEMA/IESNA Type	Beam Description	Beam Projection Distance
30°	NEMA 3	Medium Narrow	
60°	NEMA 4	Medium	
90°	NEMA 5	Medium Wide	
120°	NEMA 6	Wide	
T1	Type I	Asymmetric distributions, well suited for narrow areas, such as Conveyor belts, Aisleways, Catwalks, Loading docks and Tunnels.	
T2	Type II	Asymmetric distributions, well suited for narrow areas, such as roadways, paths and driveways.	
T3	Type III	Asymmetric distributions, well suited for site / area perimeters, wide roadways, and open areas.	
T5	NEMA 7 Type V (Square)	Very Wide: symmetrical pattern with excellent uniformity for large, open areas.	



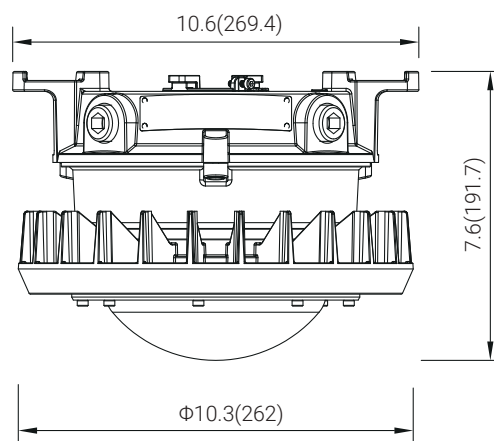
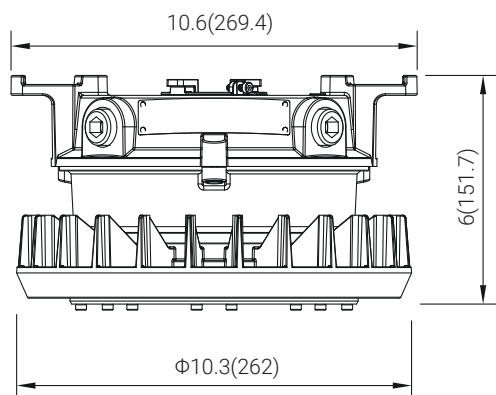
**60°
NEMA 4 - Medium**



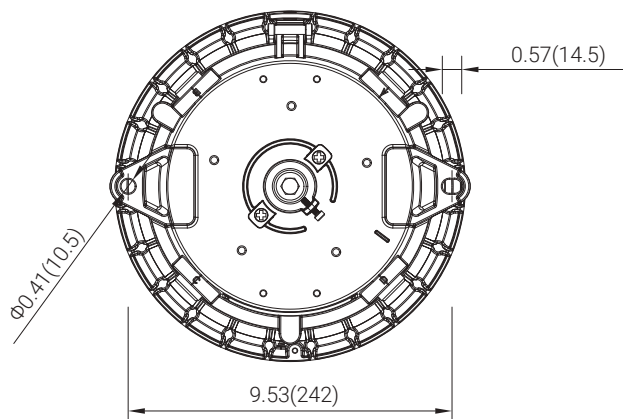
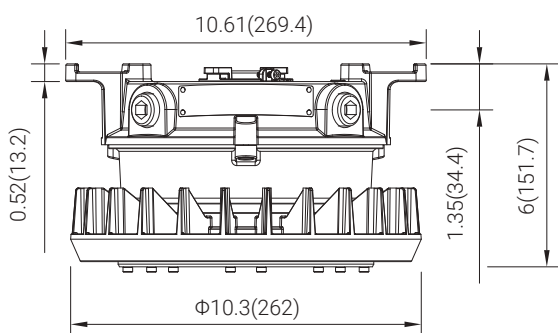
**120°
NEMA 6 - Wide**

DIMENSIONS

unit: in(mm)

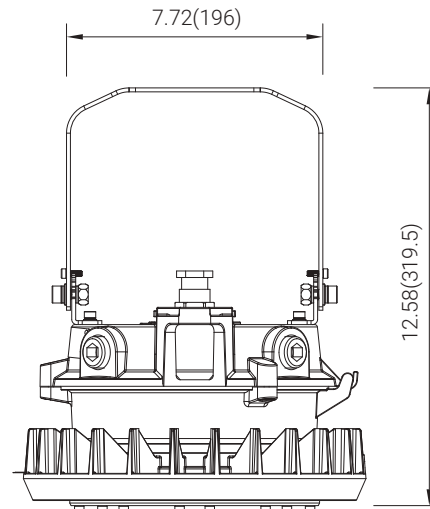
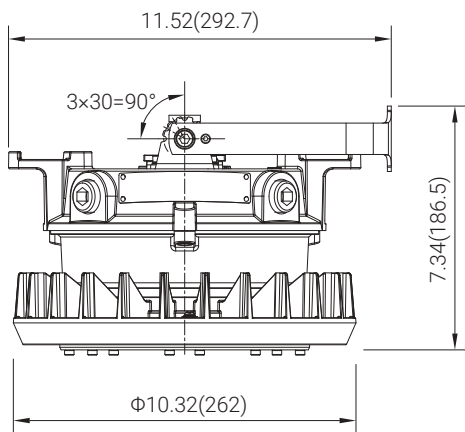
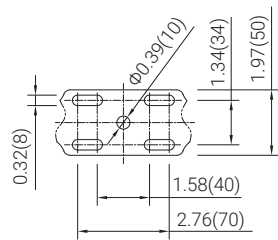


Pendant

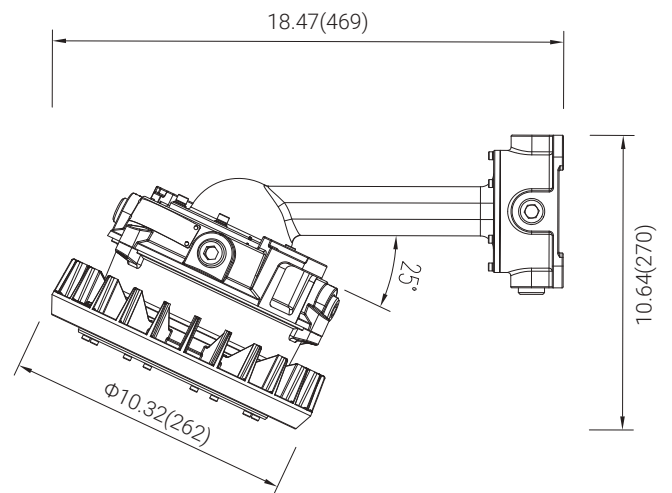
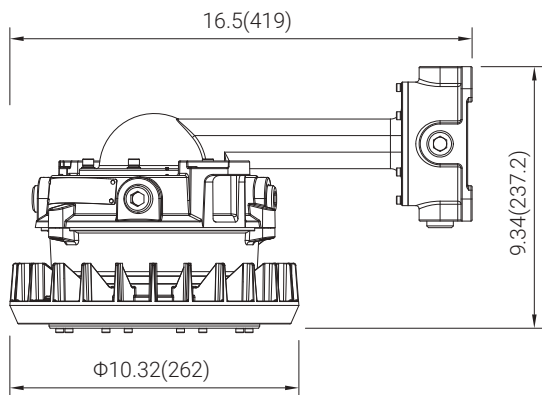
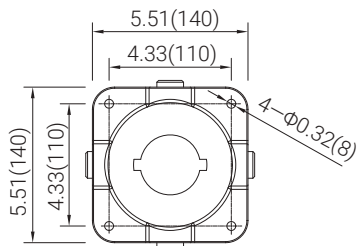


Ceiling

unit: in(mm)

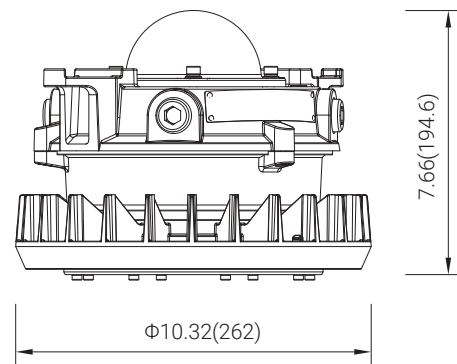
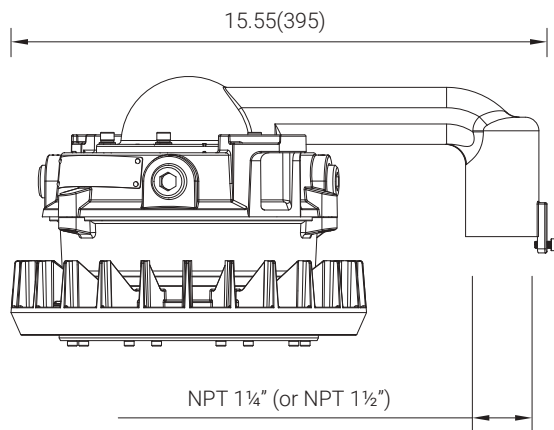
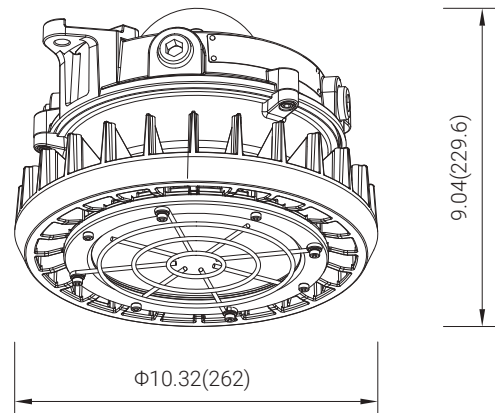
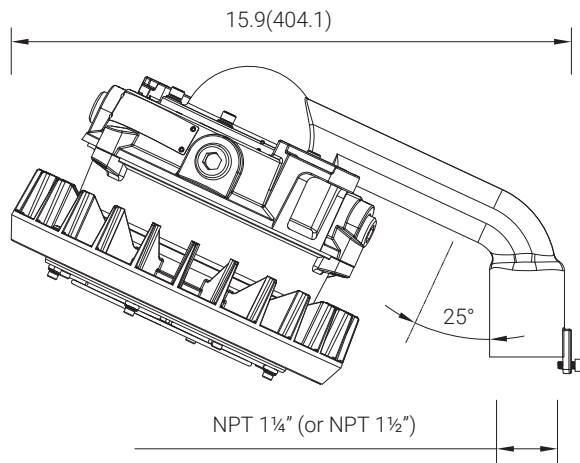


Yoke



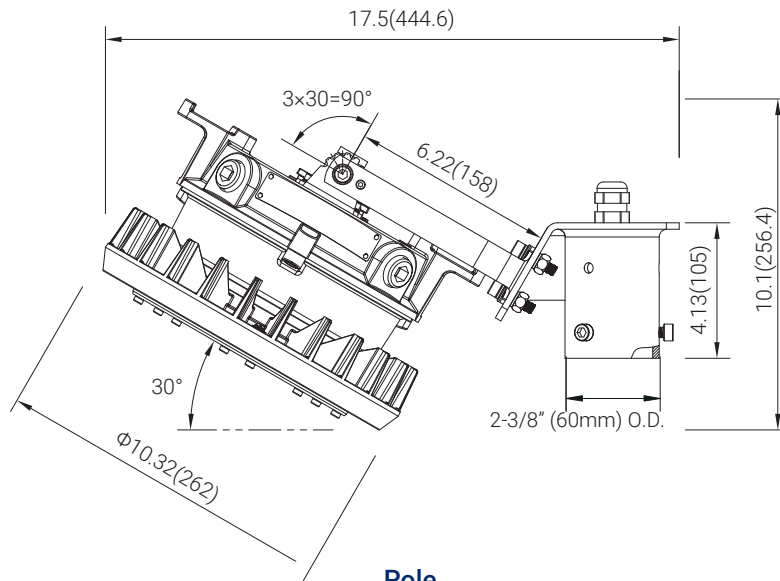
Wall

unit: in(mm)

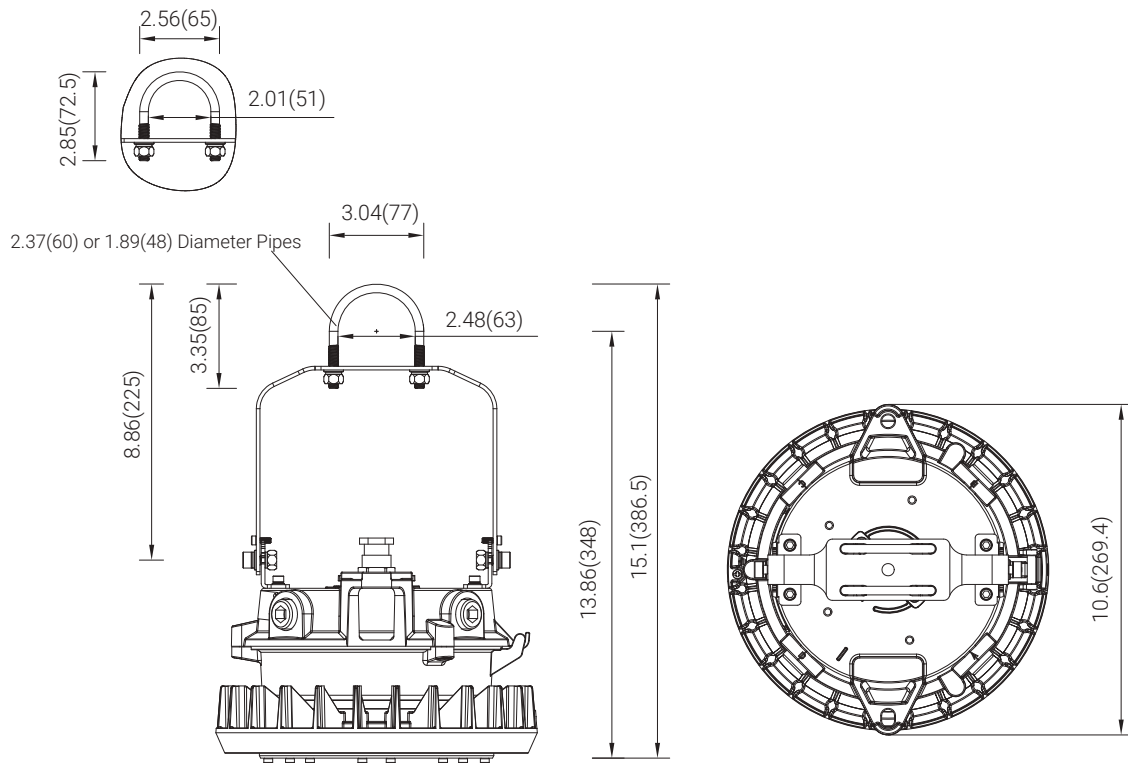


Stanchion

unit: in(mm)



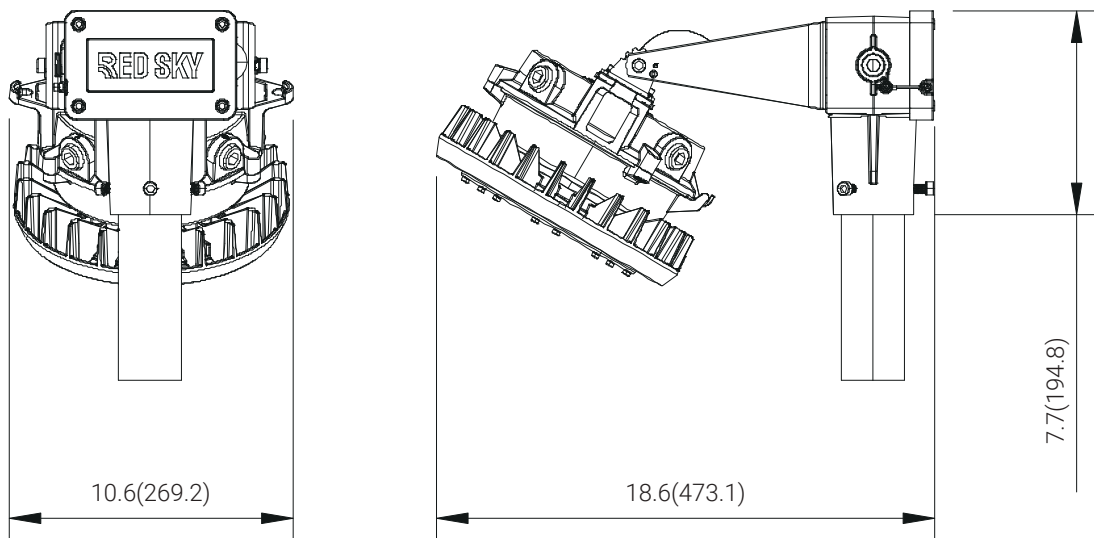
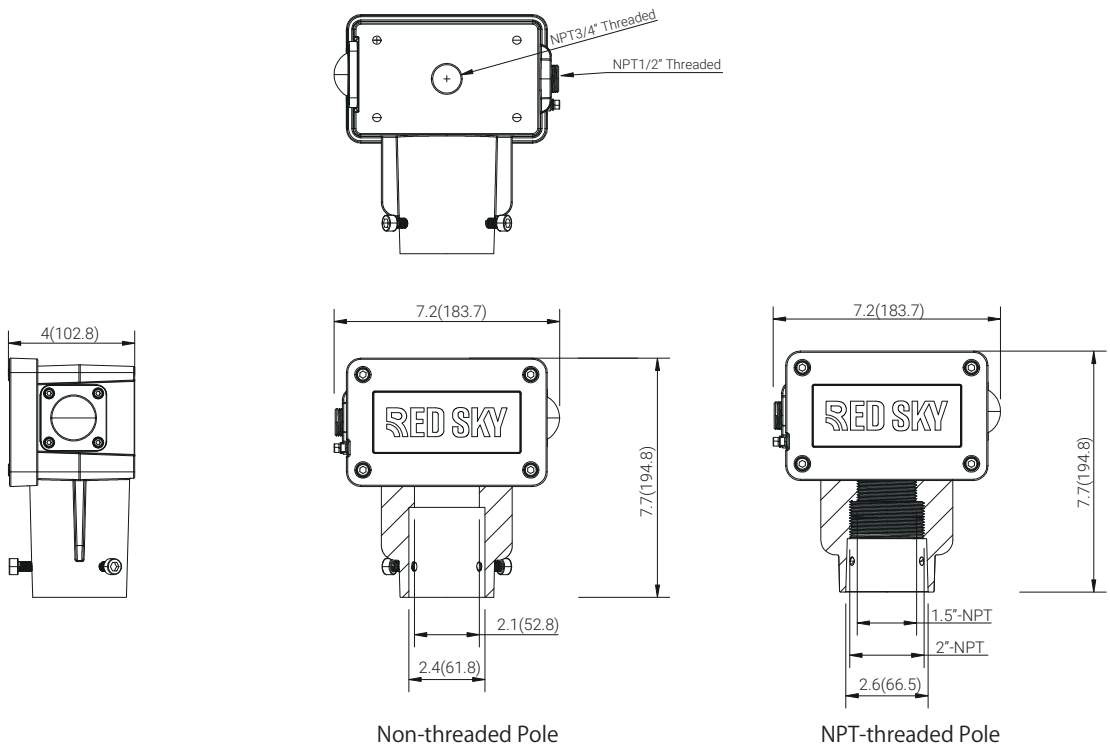
**Pole
STAN01**



**Pole
CLAMP01/02**

DIMENSIONS

unit: in(mm)



HAZARDOUS LOCATION LIGHTING BASICS

Atmosphere Groups

Temperature Classification

Substance	Hazard Class	Division Groups	Zone Groups	Max. Surface Temperatures	NEC® 500 CEC®	NEC® 500/IEC-Group II
Acetylene	Class I Flammable Gases	Group A	IIC	450°C(842°F)	T1	T1
Hydrogen		Group B	IIC	300°C(572°F)	T2	
Ethylene		Group C	IIB	280°C(536°F)	T2A	T2
Propane		Group D	IIA	260°C(500°F)	T2B	
Methane		Group D	IIA ²	230°C(446°F)	T2C	
Combustible Metal Dusts	Group E ¹	IIIC ³	215°C(419°F)	T2D		
Combustible Carbonaceous Dust	Class II Combustible Dusts	Group F	IIIB ³	200°C(392°F)	T3	T3
Combustible Dusts not in Group E or F (Flour, Grain, Wood, Plastics, Chemicals)		Group G	IIIB ³	180°C(256°F)	T3A	
				165°C(329°F)	T3B	
				160°C(320°F)	T3C	
Combustible Fibers and Flyings	Class III Fibers and Flyings	Not Applicable	IIIA ³	135°C(275°F)	T4	T4
				120°C(248°F)	T4A	
				100°C(212°F)	T5	T5
				85°C(185°F)	T6	T6

Note 1: Group E is applicable to Class II, Division 1 only.
 Note 2: Methane is a Group IIA Gas for non-mining applications.
 Note 3: Group IIIA, IIIB and IIIC have not been adopted by the Canadian Electrical Code.

Classification of Divisions and Zones

Hazard Level	Division Scheme	Zone Scheme	Definitions
Continuous Hazard	Division 1	Zone 0 / Zone 20	A place in which an explosive atmosphere is continually present
Intermittent Hazard		Zone 1 / Zone 21	A place in which an explosive atmosphere is likely to occur in normal operation
Hazard Under Abnormal Conditions	Division 2	Zone 2 / Zone 22	A place in which an explosive atmosphere is not likely to occur in normal operation, but may occur for short periods

IP Codes

1st No.	Solid Objects
0	No protection
1	Objects greater than 50mm
2	Objects greater than 12.5mm
3	Objects greater than 2.5mm
4	Objects greater than 1mm
5	Dust protected
6	Dust proof
2nd No.	Liquids
0	No protection
1	Vertically dripping
2	Dripping up to 15°
3	Limited spraying
4	Splashing from all directions
5	Hosing jets from all directions
6	Strong hosing jets from all directions
7	Temporary immersion
8	Continuous immersion
9	Steam-jet cleaning

IK Ratings

IK Code	Level of Protection Achieved
IK00	Not protected
IK01	Protected against 0.14 joules impact
IK02	Protected against 0.2 joules impact
IK03	Protected against 0.35 joules impact
IK04	Protected against 0.5 joules impact
IK05	Protected against 0.7 joules impact
IK06	Protected against 1 joules impact
IK07	Protected against 2 joules impact
IK08	Protected against 5 joules impact
IK09	Protected against 10 joules impact
IK10	Protected against 20 joules impact

RED SKY LIGHTING LLC
9370 Pittsburgh Ave
Rancho Cucamonga, CA 91730, USA

1(262) 456-5002
contact@redskylighting.com
www.redskylighting.com

RED SKY
SERIOUSLY SAFE LIGHTS™